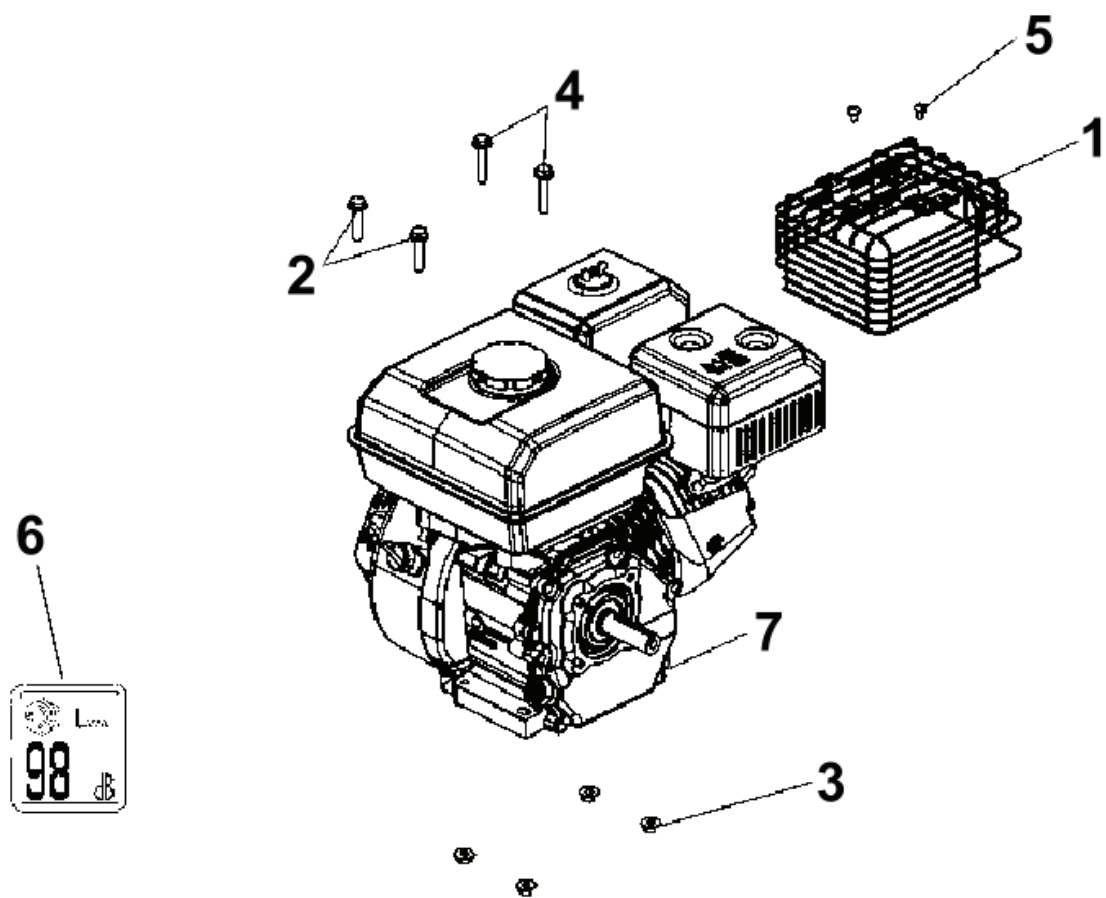


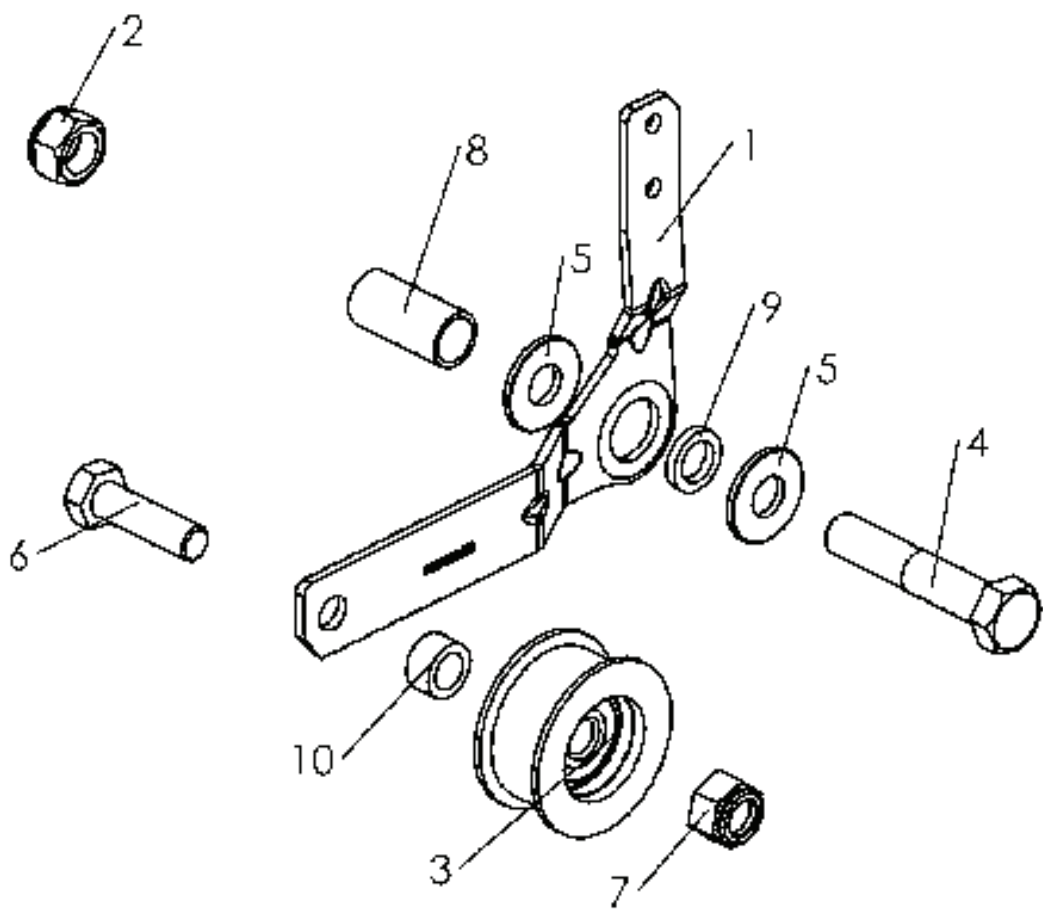
RESERVDELSKATALOG
: HUSQVARNA TF 325

Reservdelslista

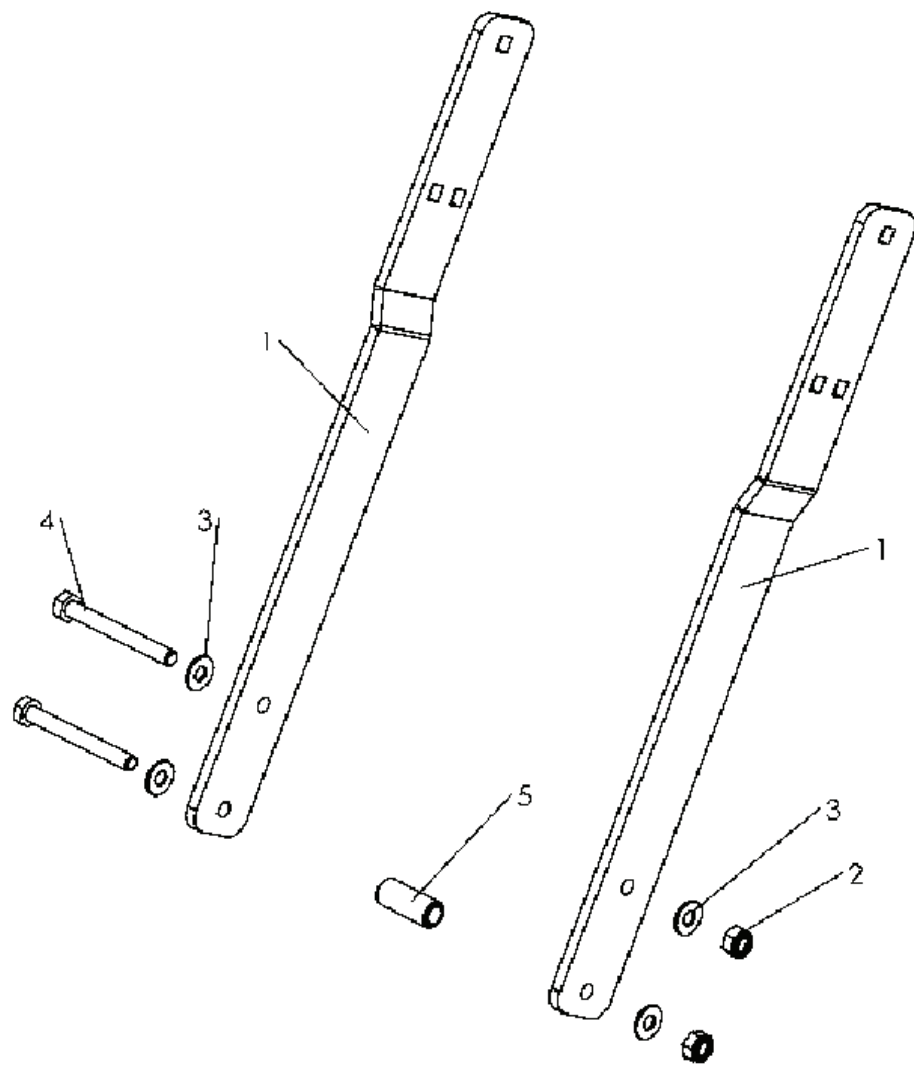
RESERVDELSLISTA



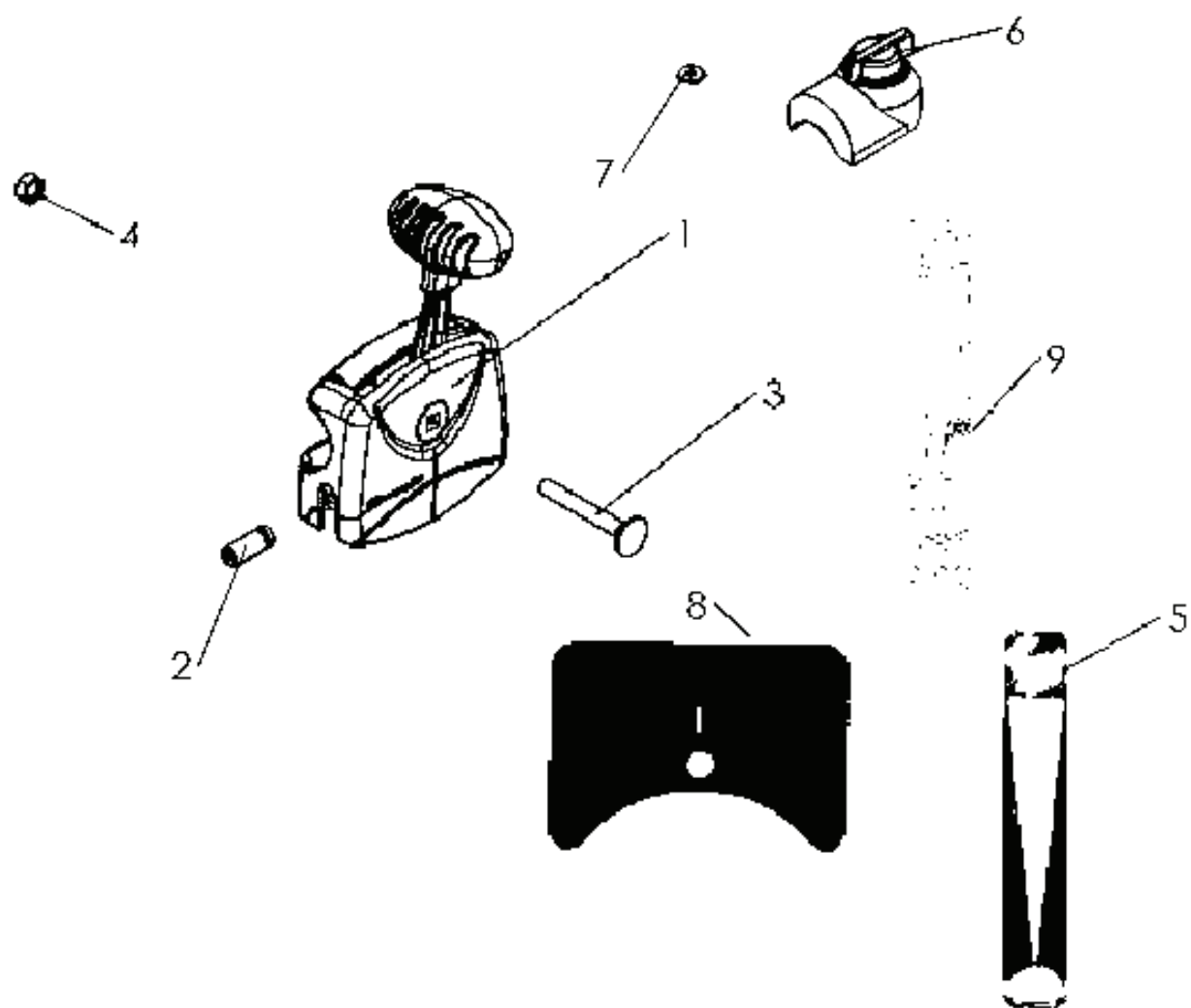
REF.	ART. NR	ARTIKELBESKRIVNING	ANMÄRKNING	KIT
1	590171501	GRILLE	EXHAUST GRILL R180/R210	1
2	544207301	SCREW	H 8X35 Z NOTCHED SHOULDER	2
3	519653430	MUTTER	H M8 Z NOTCHED SHOULDER	4
4	519653413	SCREW	H M8X40	2
5	585365401	SCREW	POZIDRIVE, M5X10 Z	2
6	501962501	DEKAL	NOISE LEVER 98Db	1
7	546203001	MOTOR	See separate Engine IPL, R210.	1



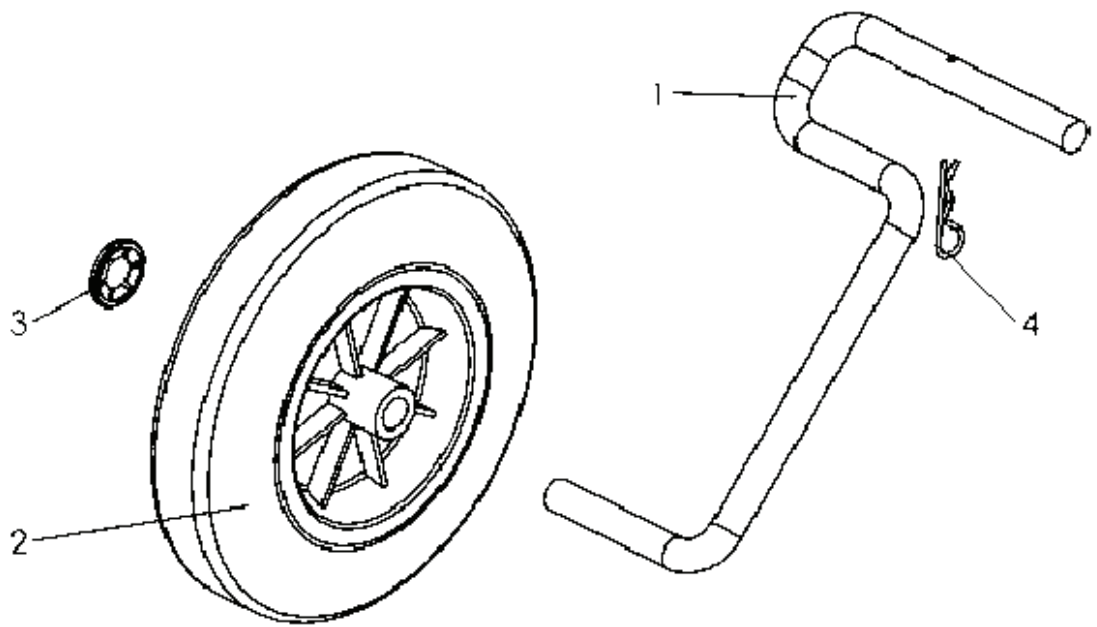
REF.	ART. NR	ARTIKELBESKRIVNING	ANMÄRKNING	KIT
1	590519401	HÄVARM	PRIMO	1
2	752255051	ECROU DE FREIN	M 12 Z	1
3	519653457	REMSKIVA	RUNNER ROUL 6200 ZZ	1
4	505026601	SCREW	H 12X60/30 Z	1
5	519653453	BRICKA	M 12X27X2.5 Z	2
6	519653455	SCREW	H 10X35Z FST	1
7	519653458	MUTTER	M 10 Z	1
8	590361401	DISTANSBRICKA	16X13X32.7	1
9	590361501	DISTANSBRICKA	18X12.2X3	1
10	590519501	DISTANSBRICKA	10.5 X 16 X 8.4	1



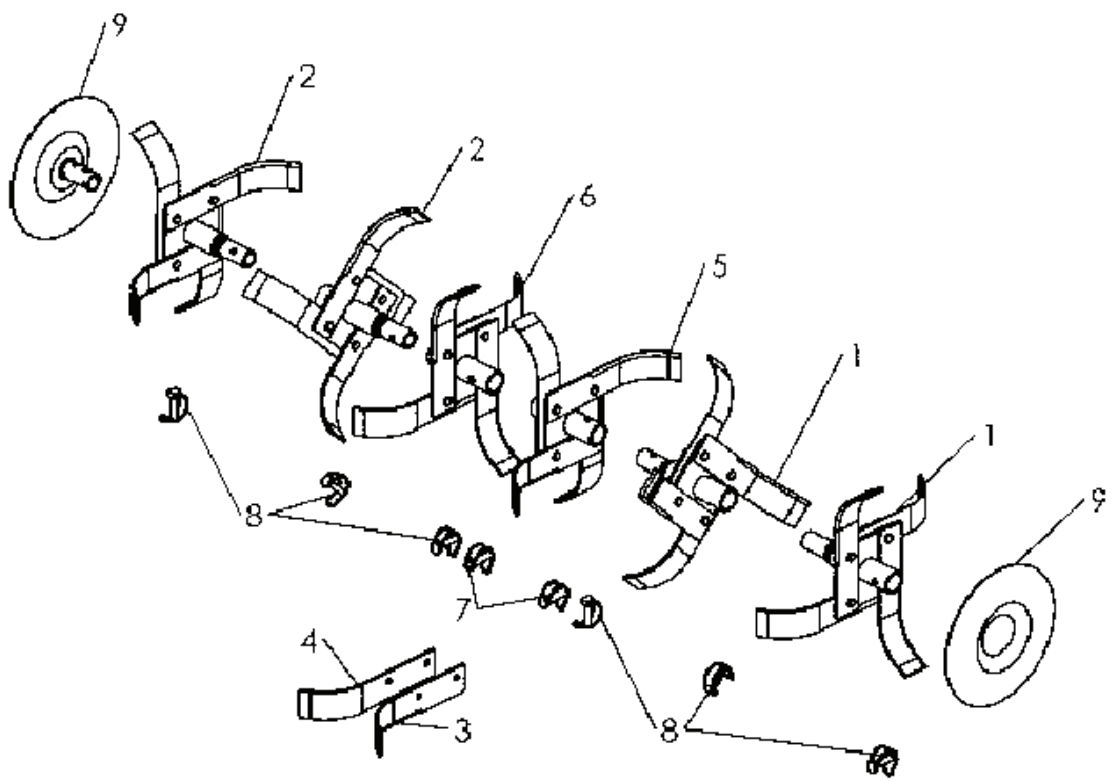
REF.	ART. NR	ARTIKELBESKRIVNING	ANMÄRKNING	KIT
1	590161601	FÄSTE		1
2	544207901	MUTTER	HM 8 Z	2
3	544208101	BRICKA	M 8X18X1.5 Z	4
4	575361701	SCREW	H8X70	2
5	575360901	DISTANSBRICKA	9X14X34 Z	1



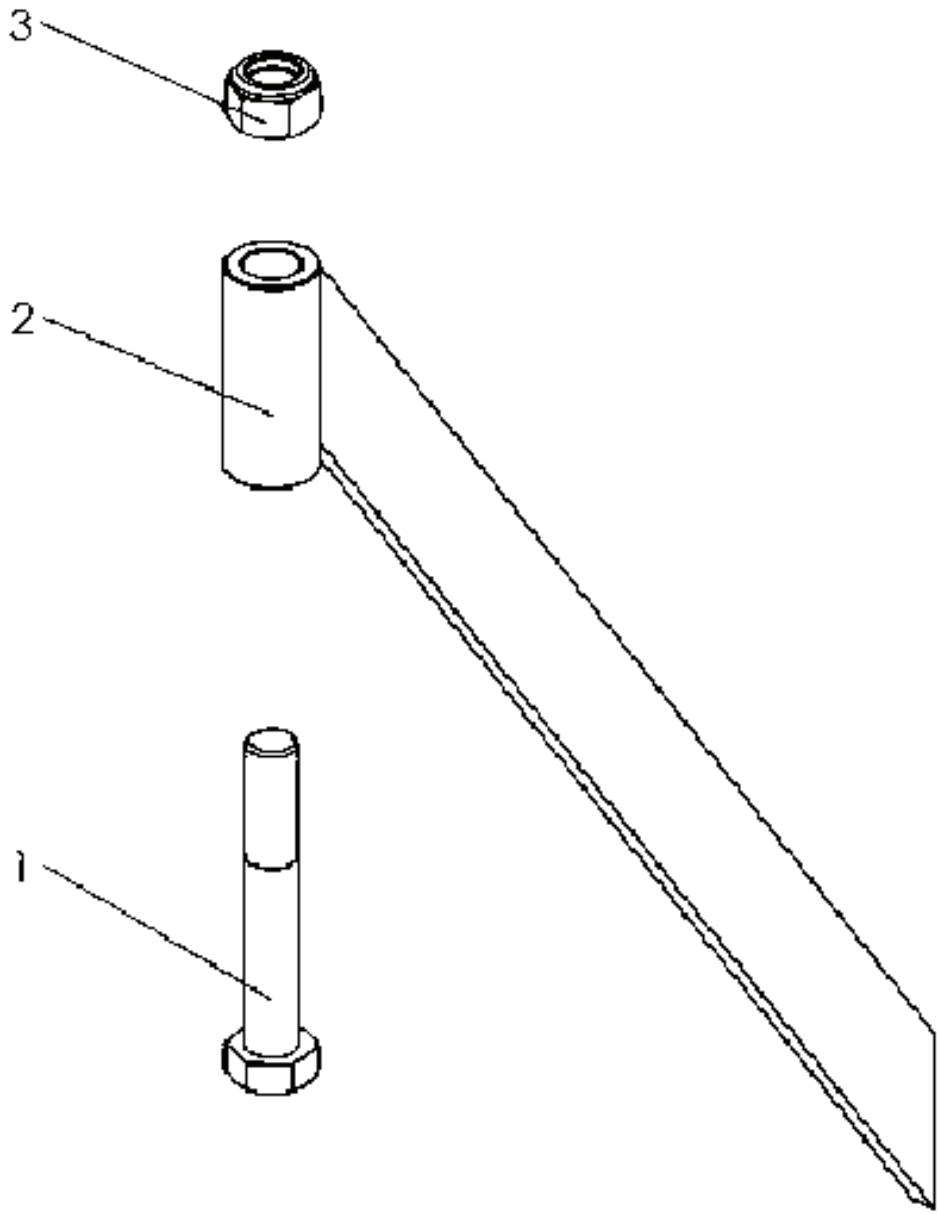
REF.	ART. NR	ARTIKELBESKRIVNING	ANMÄRKNING	KIT
1	577453001	GASHÄVARM		1
2	577525001	GASVAJER		1
3	577453801	SCREW	TRCC 6X45 Z	1
4	732261601	MUTTER	M 6 Z	1
5	531008251	DEKAL	THROTTLE	1
6	577517701	BRYTARE	ON/OFF	1
7	531008539	BRICKA	M 3,2X10XI Z	1
8	501963701	DEKAL	SWITCH ON-OFF	1
9	519646680	DEKAL	THROTTLE CONTROL	1



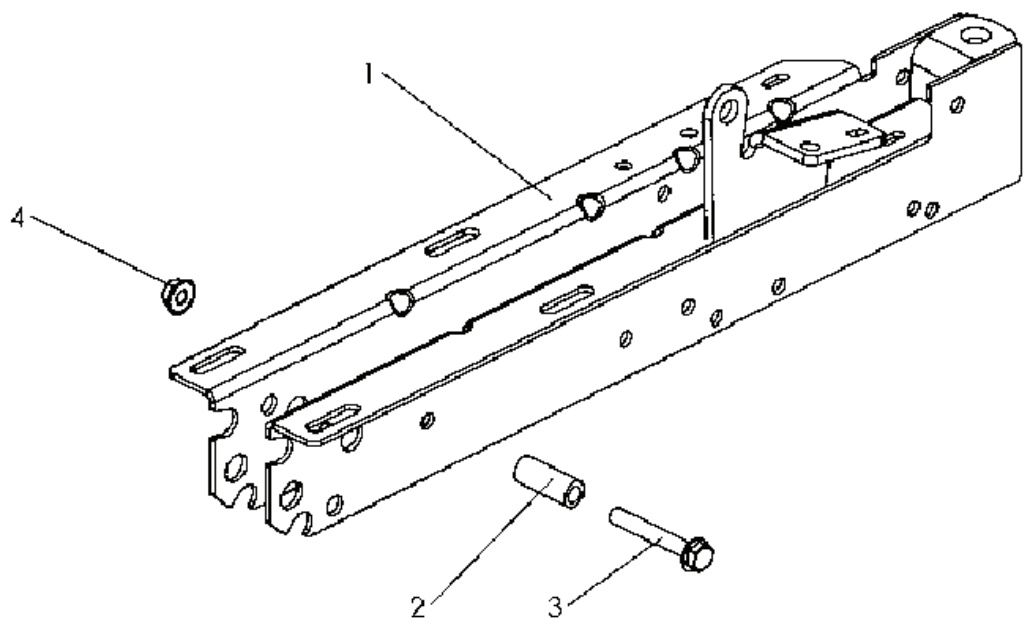
REF.	ART. NR	ARTIKELBESKRIVNING	ANMÄRKNING	KIT
1	577448001	HJUL	Diam. 14	1
2	577447801	HJUL	BLACK. Diam. 200 BORE 14	1
3	577463101	BRICKA	STARLOCK Diam. 14	1
4	519651220	PIN RETAINING SCREW	2 Z	1



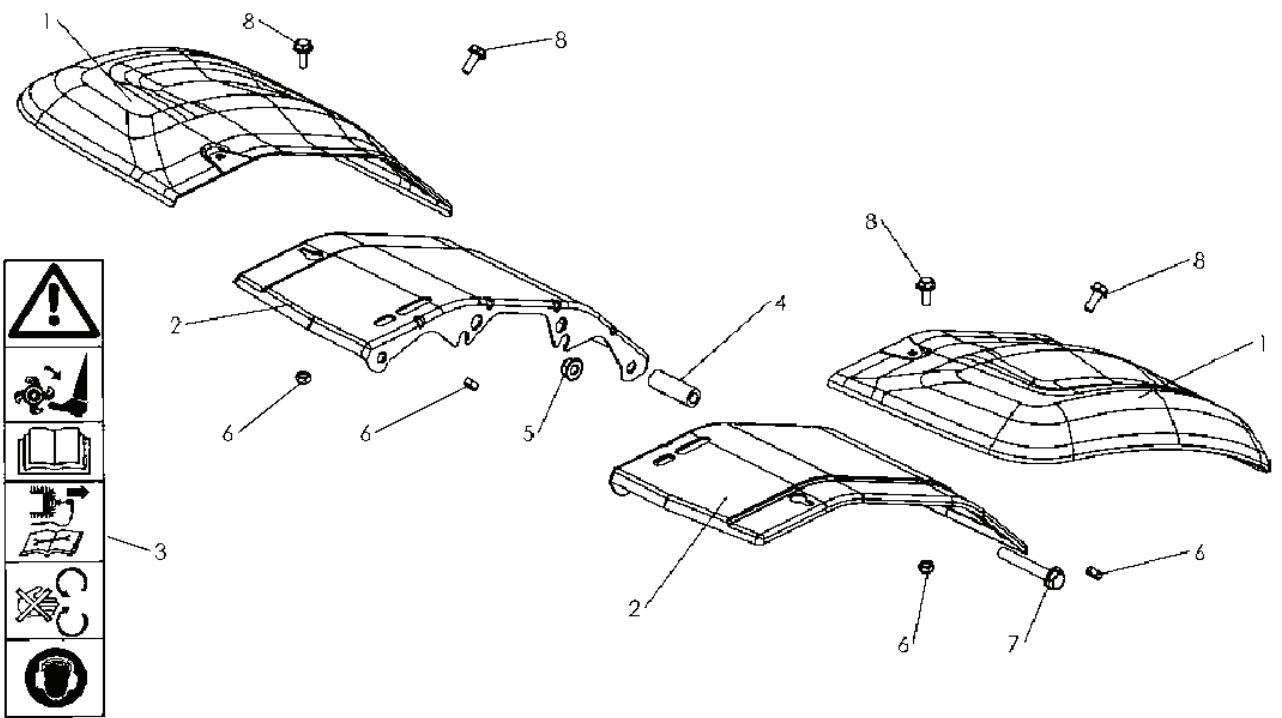
REF.	ART. NR	ARTIKELBESKRIVNING	ANMÄRKNING	KIT
1	531008214	TINE	LEFT ADDITIONAL, Diam. 25 STRAIGHT BLADE (40X4)	2
2	531008215	TINE	RIGHT ADDITIONAL, Diam. 25 STRAIGHT BLADE (40X4)	2
3	519653447	KNIV	LH 40X4	1
4	519653448	KNIV	RH 40X4	1
5	531008211	KNIV	LEFT, REMOVABLE, Diam. 25 STRAIGHT BLADE (40X4)	1
6	531008213	KNIV	RIGHT, REMOVABLE, Diam. 25 STRAIGHT BLADE (40X4)	1
7	577453601	KLÄMMA	Diam. 10X36	2
8	577453501	KLÄMMA	Diam. 8X36	6
9	590173301	SKIVA	D25 GREY 627	2



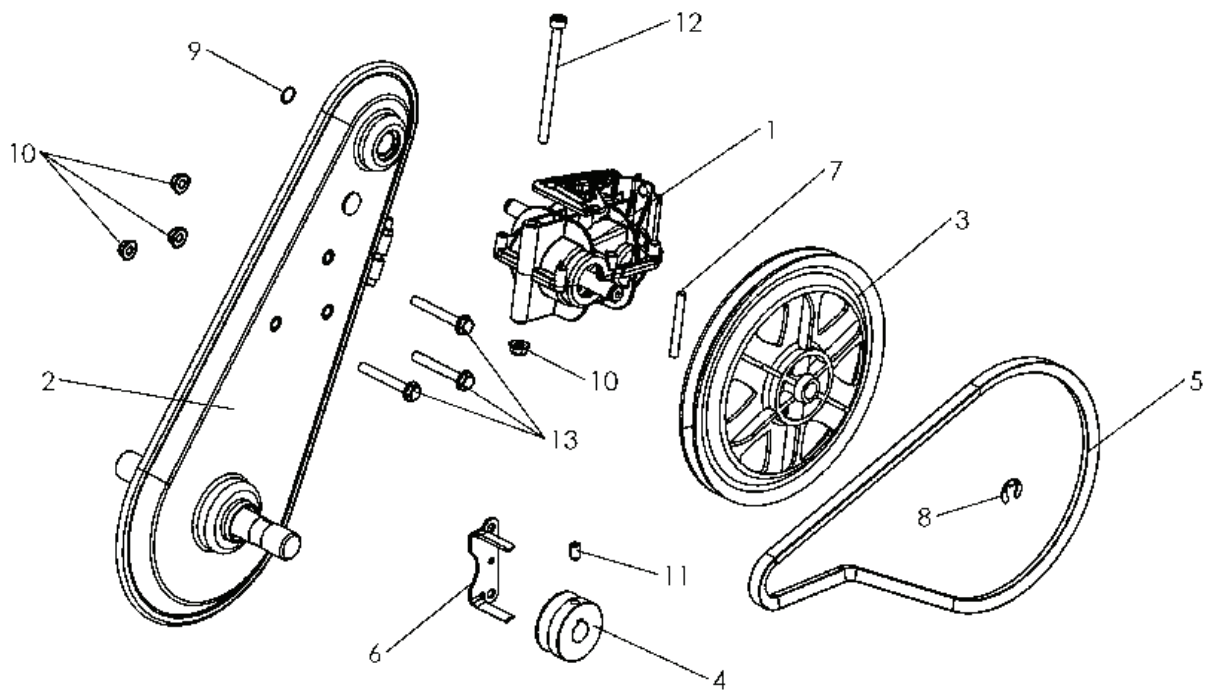
REF.	ART. NR	ARTIKELBESKRIVNING	ANMÄRKNING	KIT
1	531008220	BULT	H MI 4X90-34 Z	1
2	531008206	STATIV	BLACK	1
3	531008578	MUTTER	M 14 Z	1



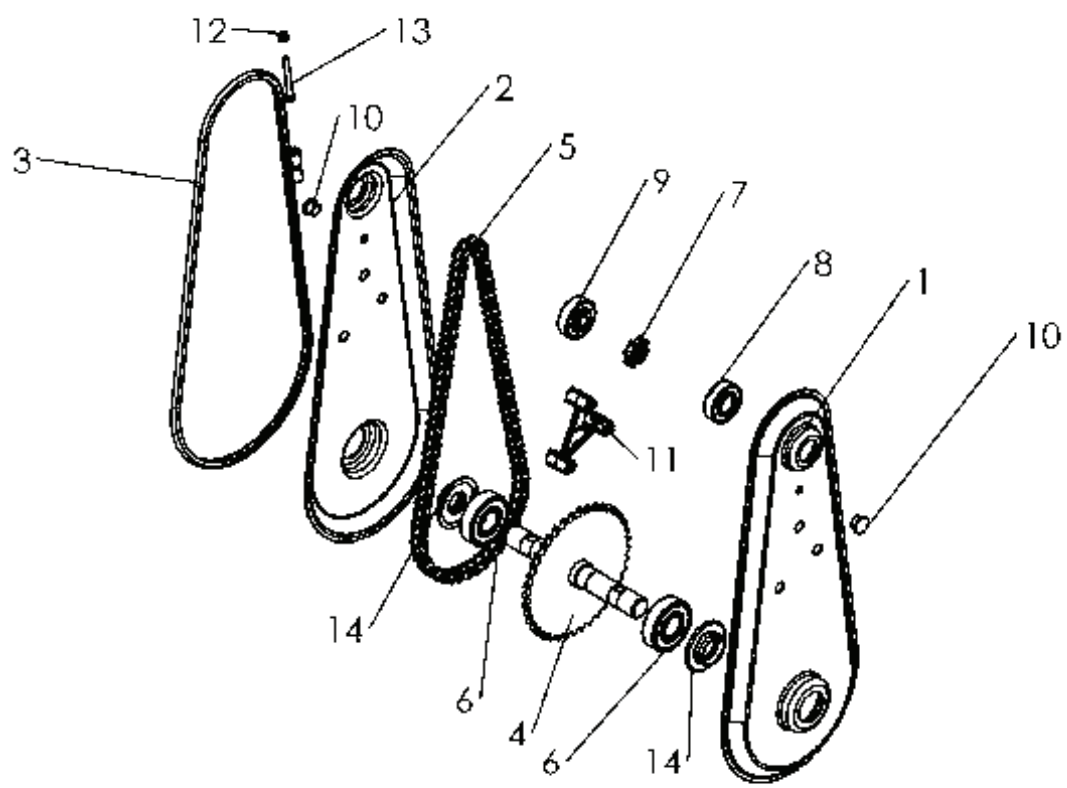
REF.	ART. NR	ARTIKELBESKRIVNING	ANMÄRKNING	KIT
1	590170901	RAM	GREY 627	1
2	575361001	DISTANSBRICKA	I4X9X35 z	1
3	575361601	SCREW	H 8X55 Z NOTCHED SHOULDER	1
4	586721001	MUTTER	BDR HM8 SMOOTH BASE	1



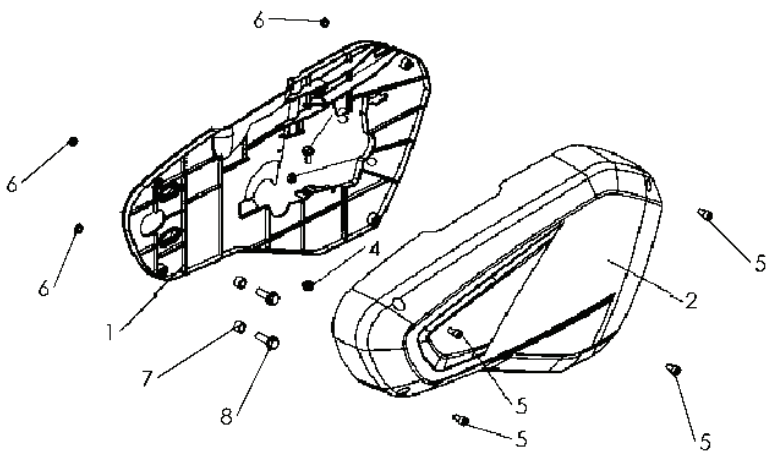
REF.	ART. NR	ARTIKELBESKRIVNING	ANMÄRKNING	KIT
1	590171001	SKYDD	ADDITIONAL, ORANGE	2
2	590171101	SKYDD	GREY 627	2
3	587995501	ETIKETT	SECURITY	1
4	590171201	DISTANSBRICKA	8.2X14X4I Z	1
5	586721001	MUTTER	BDR HM8 SMOOTH BASE	1
6	732261601	MUTTER	M 6 Z	4
7	575361601	SCREW	H 8X55 Z NOTCHED SHOULDER	1
8	519653435	SCREW	H 6X16 Z NOTCHED SHOULDER	4



REF.	ART. NR	ARTIKELBESKRIVNING	ANMÄRKNING	KIT
1	588421201	GEARBOX	REVERSE	1
2	575358701	TRANSMISSION	GREY FLANGED	1
3	519653060	REMSKIVA		1
4	544243901	REMSKIVA	Diam. 55 BORE 19.06	1
5	575360201	REM		1
6	580315601	REMSKIVA	ENGINE PULLEY	1
7	519653067	AXEL		1
8	580314201	FLÄNSRING	RADIAL_012	1
9	519653466	FLÄNSRING	EI3	1
10	586721001	MUTTER	BDR HM8 SMOOTH BASE	4
11	728692300	SCREW	ST HC M8X 16	1
12	577525301	SCREW	CHC BX110	1
13	573943101	BULT	H 8X60 NOTCHED SHOULDER	3



REF.	ART. NR	ARTIKELBESKRIVNING	ANMÄRKNING	KIT
1	519653042	HUS	LEFT, I/5 BLACK	1
2	519653041	HUS	RIGHT, I/5 BLACK	1
3	590171301	FLÄNS	I/5 ORANGE	1
4	519653007	DREV	I/5 Diam. 40 DTS 12.7	1
5	575362301	KEDJA	(80 LINKS RSF) 08B	1
6	519653053	LAGER	6305 2RS	2
7	519653057	DREV	8 TEETH 12.7	1
8	505544001	KULA	6204 2RS	2
9	531008546	RING	6204 2RS	1
10	519653391	PLUGG		2
11	585365501	DISTANSBRICKA	FOR 1/5 TRANSMISSION	1
12	732261601	MUTTER	NUT M 6	1
13	501963801	SCREW	CHC 6X55	1
14	531008576	RING	FOR TRANSMISSION	2

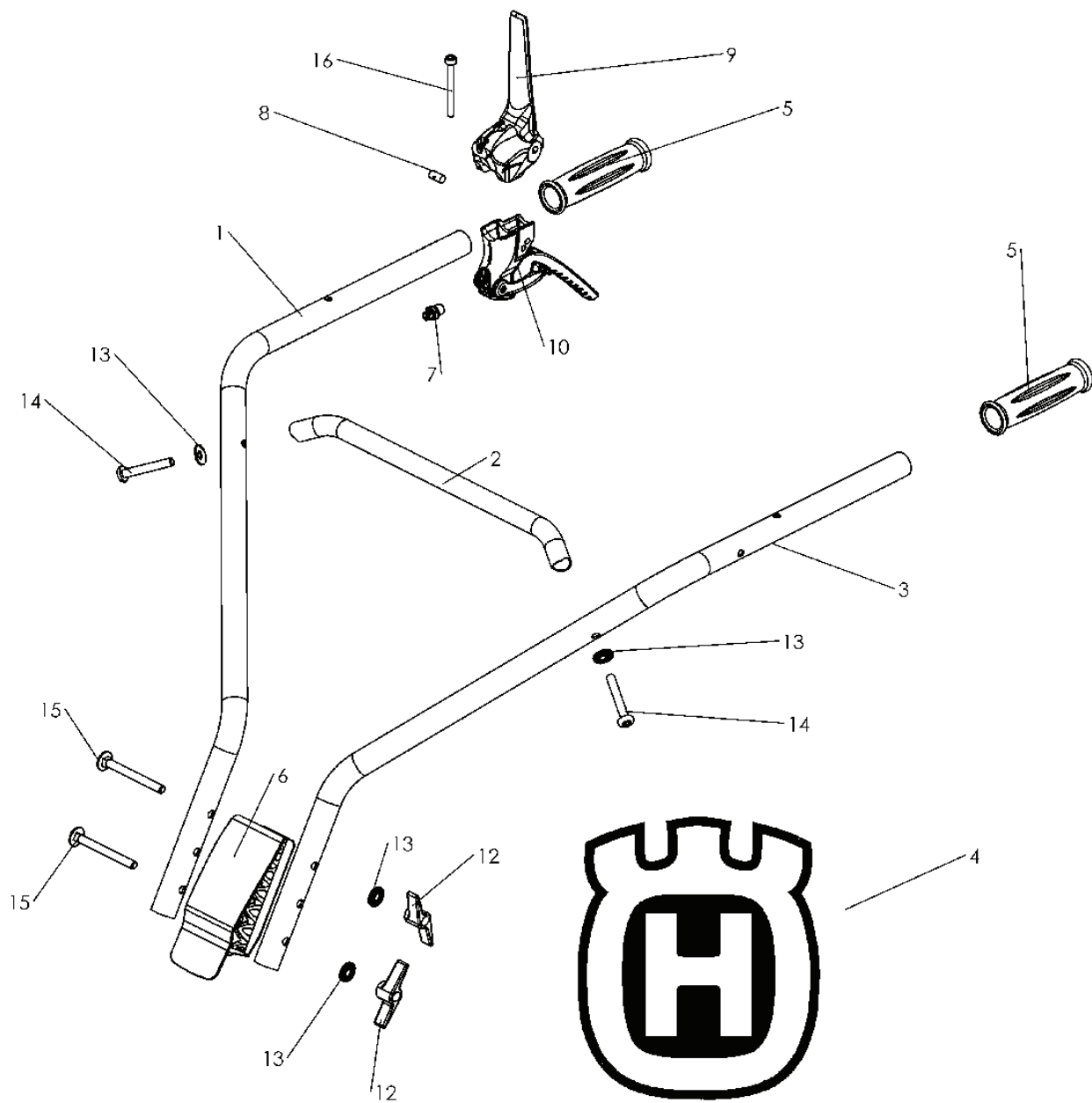


9 —  **Husqvarna**

10 — **TF 225**

11 — **TF 325**

REF.	ART. NR	ARTIKELBESKRIVNING	ANMÄRKNING	KIT
1	590171601	KÅPA		1
2	590171701	KÅPA	ORANGE	1
3	519653435	SCREW	H M 6X16 NOTCHED SHOULDER	1
4	519653432	MUTTER	H M 6 NOTCHED SHOULDER	1
5	580313501	SCREW	CHC M 6X12	4
6	732261601	MUTTER	M 6	4
7	531008216	DISTANSBRICKA	13X9X8,5	2
8	573942501	BULT	H 8X25 NOTCHED SHOULDER	2
9	590171801	ETIKETT	HUSQVARNA	1
10	590172001	ETIKETT		1
11	590172101	ETIKETT	TF325	1



REF.	ART. NR	ARTIKELBESKRIVNING	ANMÄRKNING	KIT
1	590172501	STYRE	RIGHT. GREY 627	1
2	590172601	TUBE ASSY	LINK TUBE GREY 627	1
3	590172701	STYRE	GREY 627	1
4	590160701	ETIKETT	H	1
5	519000113	HANDTAG	HAND SIDE. 025	2
6	590162001	KOPPLINGSBOX	ORANGE	1
7	577463701	KABEL		1
8	590172901	KABEL	REVERSE	1
9	590173001	HÄVARM	REVERSE	1
10	577463601	HÄVARM		1
12	531008462	VINGMUTTER	BLACK. TIGHTENING LEVER	2
13	544314901	BRICKA	8	4
14	590161801	SCREW	BHC 8X55	2
15	575361301	SCREW	TRCC M8X80 Z	2
16	590173101	SCREW	CHC M6X65	1