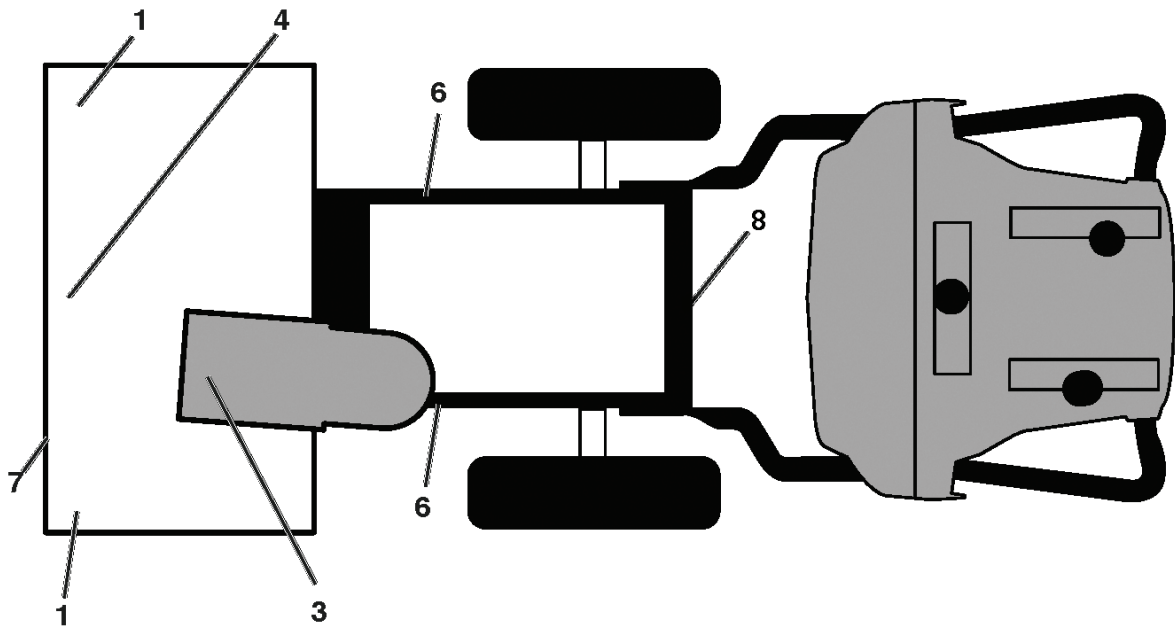
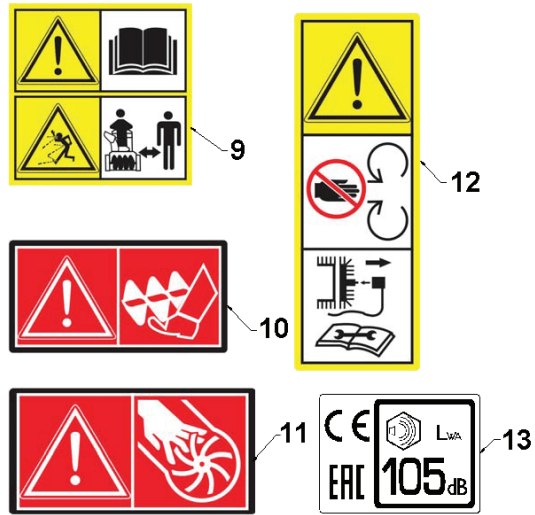


**RESERVDELSKATALOG**  
**: HUSQVARNA ST 227P**

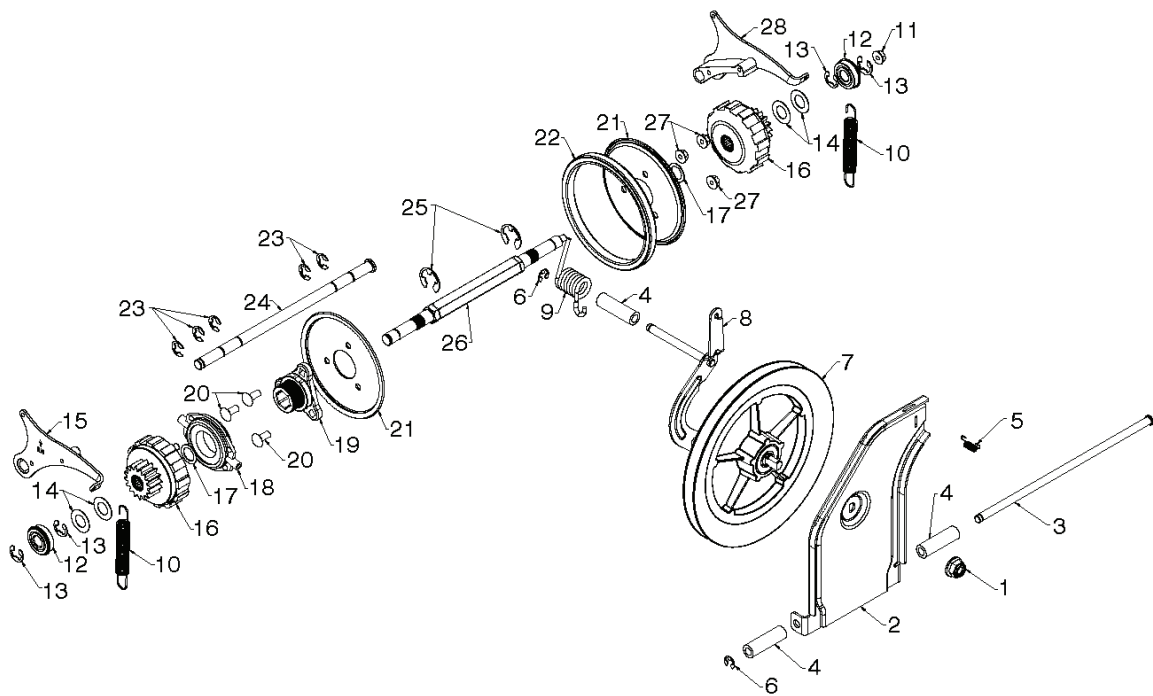
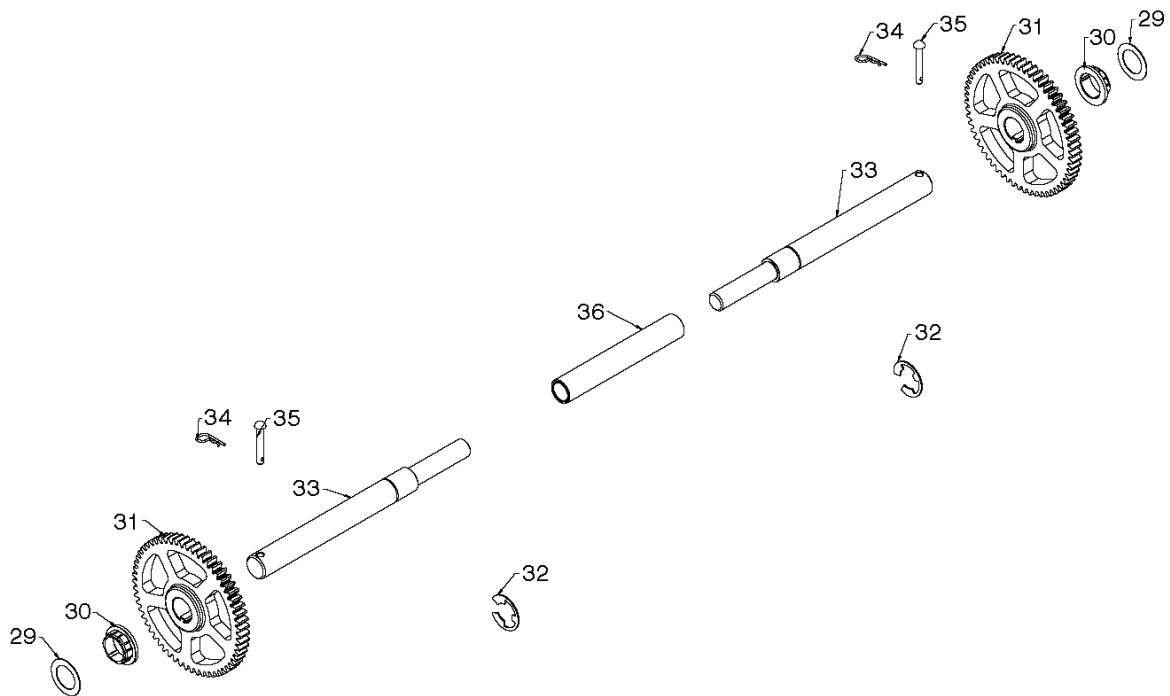
Reservdelslista

---

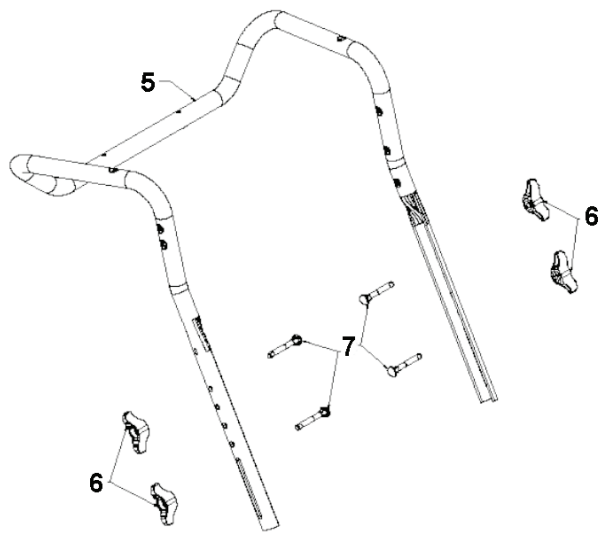
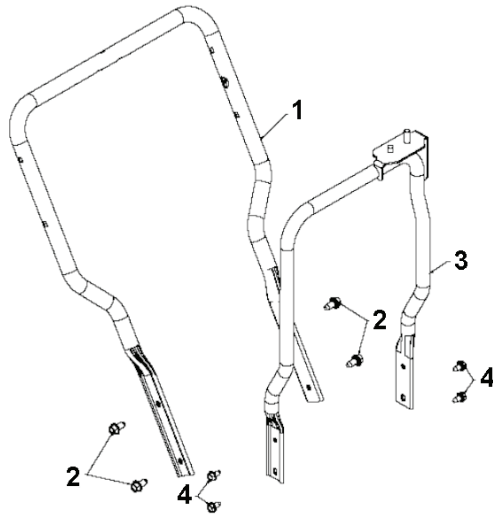
# RESERVDELSLISTA



REF.	ART. NR	ARTIKELBESKRIVNING	ANMÄRKNING	KIT
1	532199683	DEKAL		1
3	532199682	DEKAL	For all EXCEPT 96193009706, 96191008805, 96193009705, 96191008804, 96191008803, 96193009704	1
3	590812201	DEKAL	For 96193009706, 96191008805, 96193009705, 96191008804, 96191008803, 96193009704	1
4	532184045	DEKAL		1
6	532184028	DEKAL		1
7	588597001	DEKAL	For 96191008805, 96191008804, 96191008803, 96193009704	1
8	588049801	DEKAL	For 96191008802, 96191008801	1
8	589592701	DEKAL	For 96191008805, 96191008804, 96191008803	1
9	532184045	DEKAL		1
10	532199683	DEKAL		1
11	532199682	DEKAL	For all EXCEPT 96193009706, 96191008805, 96193009705, 96191008804, 96191008803, 96193009704	1
11	590812201	DEKAL	For 96193009706, 96191008805, 96193009705, 96191008804, 96191008803, 96193009704	1
12	532184028	DEKAL		1
13	588049801	DEKAL	For 96191008802, 96191008801	1
13	589592701	DEKAL	For 96191008805, 96191008804, 96191008803	1
13	581578201	DEKAL	For 96191008800	1
16	590697201	DEKAL	For 96193009706, 96191008805, 96193009705, 96191008804	1
17	532174572	DEKAL	For 96193009706, 96193009705	1
18	532428677	DEKAL	For 96191008805, 96193009705, 96191008804, 96191008803, 96193009704, 96191008802	1
19	588597001	DEKAL	For 96191008805, 96191008804, 96191008803, 96193009704	1
20	586431601	DEKAL	For 96191008803, 96191008802	1
21	115995749	BRUKSANVISNING	For 96193009705	1
22	115995710	BRUKSANVISNING	For 96191008804	1
23	115995720	BRUKSANVISNING	For 96191008804	1
24	115995750	BRUKSANVISNING	For 96191008804	1
25	115995740	BRUKSANVISNING	For 96191008804	1
26	115995753	BRUKSANVISNING	For 96191008804	1
27	115995776	BRUKSANVISNING	For 96191008804	1
28	115734127	BRUKSANVISNING	For 96193009704	1
29	115734131	BRUKSANVISNING	For 96193009704	1
30	115734146	BRUKSANVISNING	For 96193009704	1

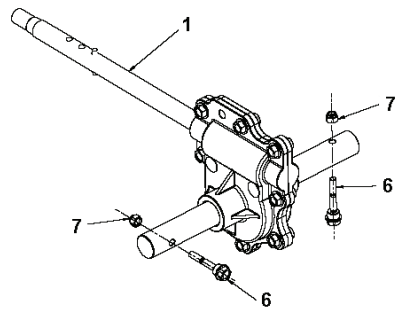
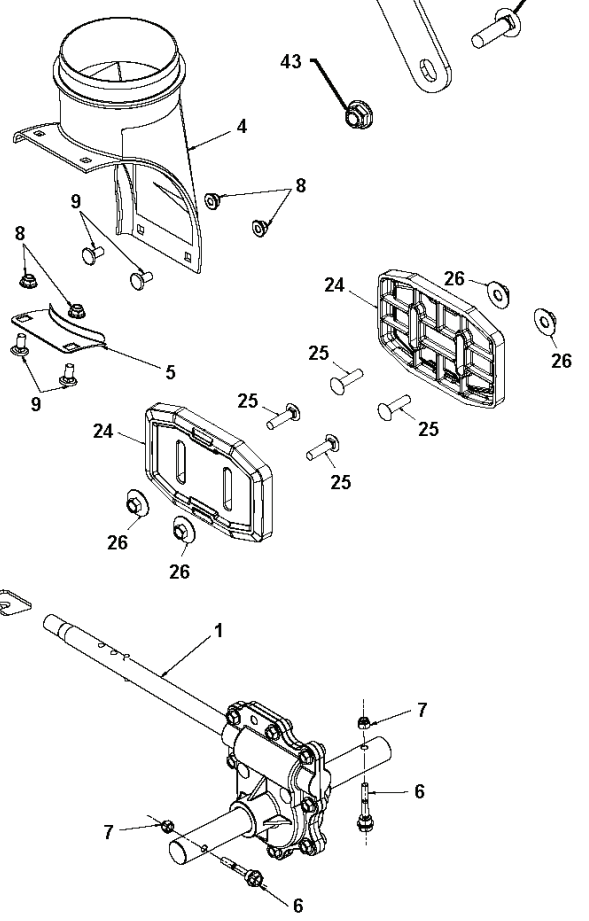
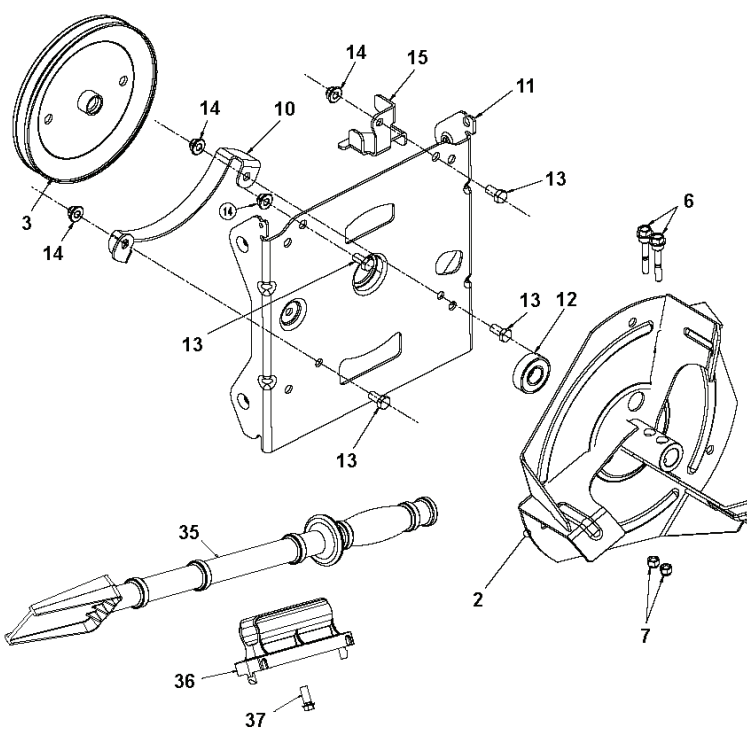
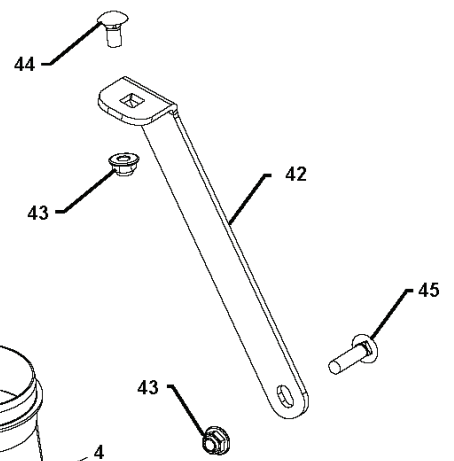
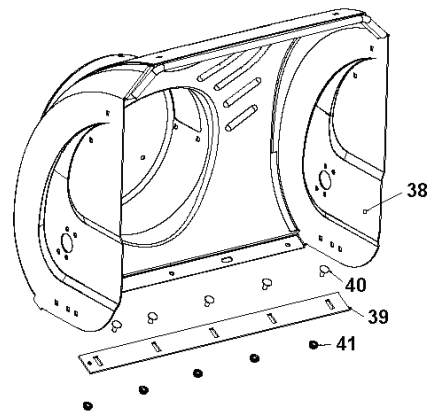
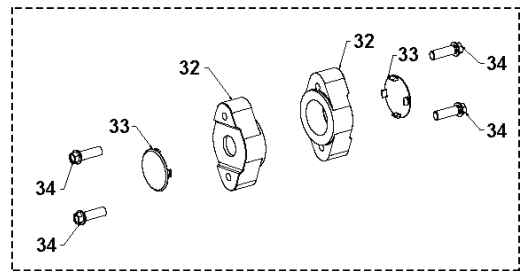
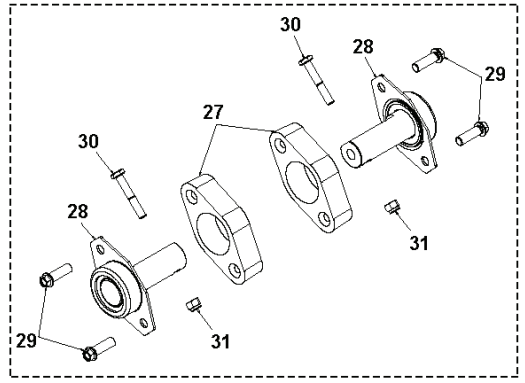
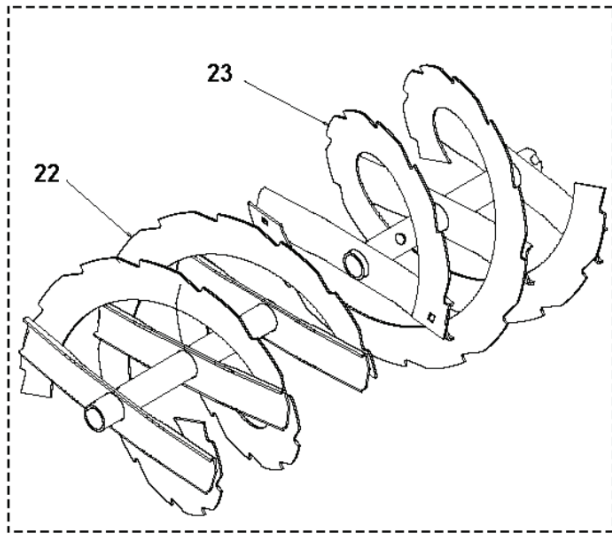


REF.	ART. NR	ARTIKELBESKRIVNING	ANMÄRKNING	KIT
1	521991102	MUTTER		1
2	581446903	PLATTA	For 96191008800, 96193009701	1
2	531447002	PLATTA	For 96193009706, 96191008805	1
2	587703402	PLATTA	For all EXCEPT 96191008800, 96193009701, 96193009706, 96191008805	1
3	581123002	STÅNG	For 96193009706, 96191008805	1
3	581123001	STÅNG	For all EXCEPT 96193009706, 96191008805	1
4	581732701	DISTANSBRICKA		1
5	532193885	FJÄDER		1
6	595841101	FLÄNSRING		1
7	581328401	PULLEY ASSY	For all EXCEPT 96193009706, 96191008805	1
7	581328402	PULLEY ASSY	For 96193009706, 96191008805	1
8	581454203	FÄSTE	For 96191008800, 96193009701	1
8	587193403	FÄSTE	For all EXCEPT 96191008800, 96193009701	1
9	581315301	FJÄDER		1
10	585263801	FJÄDER		1
11	585691501	MUTTER	For 96191008805	1
12	580756201	LAGER		1
13	580756102	RING		1
14	580751301	BRICKA		1
15	580756601	MEDBRINGARHAKE		1
16	580756001	VÄXEL		1
17	580756301	BRICKA		1
18	597412801	LAGERHUS KPL		1
19	581090901	NAV		1
20	872110506	BULT	For 96191008805	1
21	581091002	PLATTA		1
22	581091101	RING	For all EXCEPT 96193009706, 96191008805	1
22	597362801	RING	For 96193009706, 96191008805	1
23	586644301	KLÄMMA		1
24	580755101	STÅNG		1
25	812000022	FLÄNSRING		1
26	580752401	AXEL		1
27	585691501	MUTTER	For 96191008805	1
27	532751153	MUTTER	For all EXCEPT 96191008805	1
28	580756701	MEDBRINGARHAKE		1
29	532444949	BRICKA		1
30	581122301	BUSHING	For 96191008800, 96193009701	1
30	587978901	BUSHING	For all EXCEPT 96191008800, 96193009701	1
31	580757301	VÄXEL	For 96191008800, 96193009701	1
31	588518601	VÄXEL	For all EXCEPT 96191008800, 96193009701	1
32	812000053	SPÄRRYTARE		1
33	580752601	AXEL		1
34	532124788	FLÄNSRING		1
35	532171271	NIT		1
36	580752501	HYLSA		1



REF.	ART. NR	ARTIKELBESKRIVNING	ANMÄRKNING	KIT
1	581123503	HANDTAG	For 96191008800, 96193009701	1
1	588672103	HANDTAG	For all EXCEPT 96191008800, 96193009701	1
2	817000612	SCREW		1
3	581622002	SUPPORT ASSY	For all EXCEPT 96193009706, 96191008805, 96193009705, 96191008804	1
3	589264504	STÖD	For 96193009706, 96191008805, 96193009705, 96191008804	1
4	817000510	BULT		1
5	581123603	HANDTAG	For 96193009703, 96193009702, 96191008801, 96191008800, 96193009701	1
5	588160803	HANDTAG	For all EXCEPT 96193009703, 96193009702, 96191008801, 96191008800, 96193009701	1
6	532191938	KNOPP		1
7	588059901	BULT	For all EXCEPT 96191008800, 96193009701	1
7	532191574	SCREW	For 96191008800, 96193009701	1



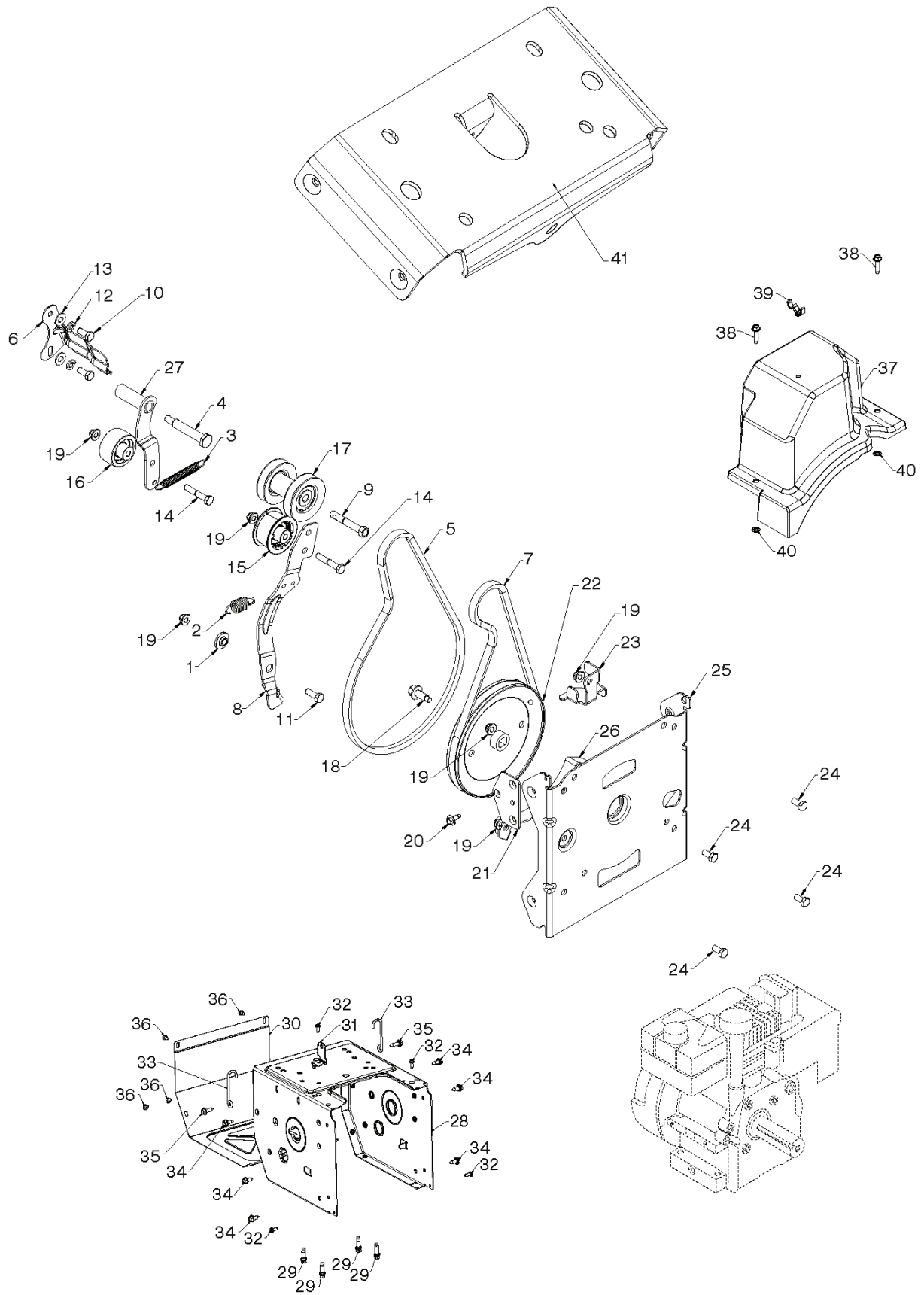


REF.	ART. NR	ARTIKELBESKRIVNING	ANMÄRKNING	KIT
1	597371501	SERVICE KIT	For all EXCEPT 96193009705, 96191008804, 96193009706, 96191008805	1
1	582867601	GEARBOX	For 96193009705, 96191008804	1
1	582867602	GEARBOX	For 96193009706, 96191008805	1
2	586607202	FLÅKTHJUL		1
3	586715201	REMSKIVA	For 96191008800, 96193009701	1
3	587402401	REMSKIVA	For all EXCEPT 96191008800, 96193009701	1
4	585056901	UTKASTARRÖR		1
5	597433002	FÄSTE		1
6	588077502	BULT		1
7	595086601	MUTTER	For 96193009706	1
7	873800400	MUTTER	For all EXCEPT 96193009706, 96191008805	1
8	585691301	MUTTER	For 96193009706, 96191008805, 96193009705, 96191008804	1
9	585691201	BULT		1
10	581632002	FÄSTE	For all EXCEPT 96193009706, 96191008805, 96193009705, 96191008804	1
11	581592502	FÄSTE	For all EXCEPT 96193009706, 96191008805, 96193009705, 96191008804	1
12	532198791	KULLAGER		1
13	532163183	BULT	For all EXCEPT 96193009706, 96191008805, 96193009705, 96191008804	1
14	532427942	MUTTER		1
15	587587202	STYRNING	For all EXCEPT 96193009706, 96191008805, 96193009705, 96191008804, 96191008800, 96193009701	1
22	532436255	INMATARSKRUV	LH	1
23	532436256	INMATARSKRUV	RH	1
24	583838801	SKO		1
25	585802901	BULT		1
26	873930500	MUTTER	For 96193009706, 96193009704	1
26	585802801	MUTTER	For all EXCEPT 96193009706, 96193009704	1
27	532188170	HÅLLARE	For all EXCEPT 96191008805	1
28	594082801	KULLAGER	For all EXCEPT 96191008805	1
29	584299401	SKRUV EHHFT	For 96191008805	1
30	596322101	BULT	For 96193009706	1
30	874780426	SCREW	For all EXCEPT 96193009706, 96191008805	1
31	595086601	MUTTER	For 96193009706	1
31	873800400	MUTTER	For all EXCEPT 96193009706, 96191008805	1
32	532420478	LAGER	For 96191008805	1
33	532411939	PLUGG	For 96191008805	1
34	584299401	SKRUV EHHFT	For 96191008805	1
35	532192199	VERKTYG		1
36	532405400	ÖVERFALL		1
37	532194189	SCREW		1
38	581708398	HUS KPL		1
39	532404932	SKRAPA		1
40	596039401	BULT		1
41	532155377	MUTTER		1

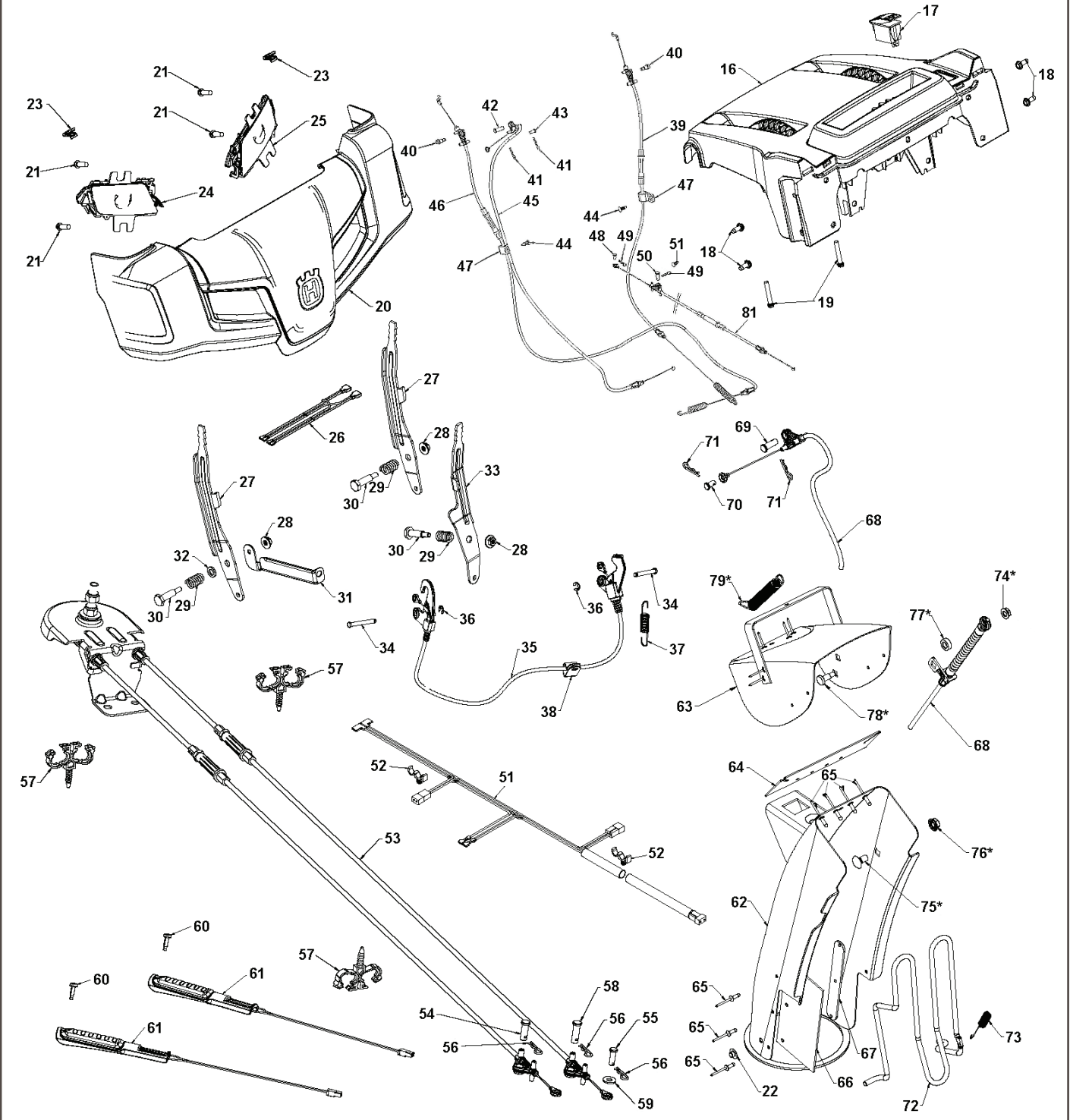
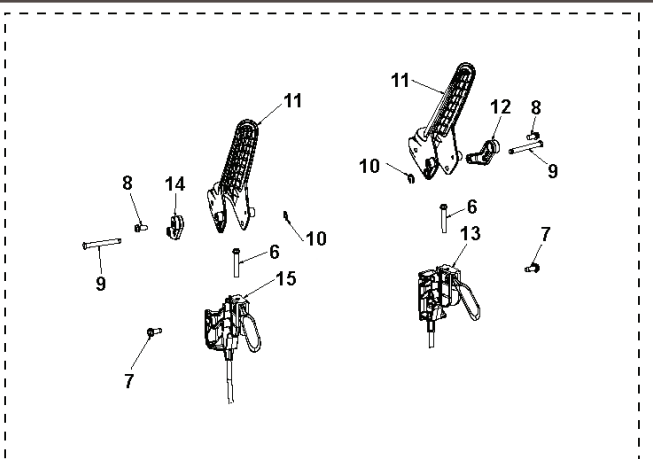
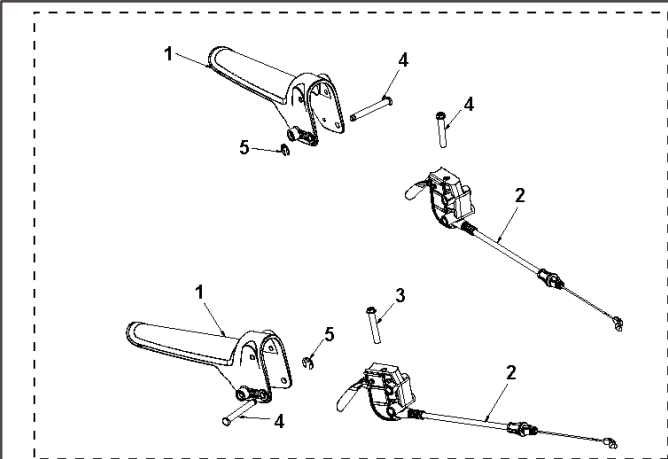
---

REF.	ART. NR	ARTIKELBESKRIVNING	ANMÄRKNING	KIT
42	589323002	BRACE	For 96193009706, 96191008805, 96193009705, 96191008804	1
43	585691301	MUTTER	For 96193009706, 96191008805, 96193009705, 96191008804	1
44	585832001	BULT	For 96193009706, 96191008805, 96193009705, 96191008804	1
45	872110510	BULT	For 96193009706, 96191008805, 96193009705, 96191008804	1

For 96193009706, 96191008805,  
96193009705, 96191008804



REF.	ART. NR	ARTIKELBESKRIVNING	ANMÄRKNING	KIT
1	587343701	BUSHING		1
1	585335706	MOTOR	For 96193009706. 96191008805. 96193009705, LCT - PW2HK18750178E	1
2	587031201	FJÄDER		1
2	585335704	MOTOR	For 96191008804, LCT - PW2HK18750178Y	1
3	580753001	FJÄDER		1
4	581413801	BULT		1
5	584216102	REM		1
6	588492802	FÄSTE		1
7	501818201	REM		1
8	580831106	FÄSTE		1
9	582388401	BULT		1
10	874610512	SCREW		1
11	596322201	BULT	For 96193009706. 96191008805	1
11	874760514	BULT	For 96191008804. 96193009705	1
12	596238801	BRICKA	For 96193009706. 96191008805	1
12	810040500	BRICKA	For 96191008804. 96193009705	1
13	819111216	BRICKA	For 96191008804. 96193009705	1
13	596204101	BRICKA	For 96193009706. 96191008805	1
14	874760528	BULT		1
15	581141402	REMSKIVA		1
16	586880202	REMSKIVA		1
17	587893703	REMSKIVA		1
18	595517901	SCREW	For 96193009706. 96191008805	1
18	583814901	SCREW	For 96191008804. 96193009705	1
19	532427942	MUTTER		1
20	585517801	SCREW		1
21	590044602	FÄSTE		1
22	590699201	REMSKIVA		1
23	587587202	STYRNING		1
24	532163183	BULT		1
25	581592502	FÄSTE		1
26	581632002	FÄSTE		1
27	581338203	ARM		1
28	589264705	RAM		1
29	532150406	BULT		1
30	580839505	KÅPA		1
31	501060403	FÄSTE		1
32	582906901	SCREW	For 96193009705. 96191008804. 96191008803. 96193009704	1
33	588954501	STÖD		1
34	532428867	BULT		1
35	593337201	SCREW		1
36	582906901	SCREW	For 96193009705. 96191008804. 96191008803. 96193009704	1
37	587105401	KÅPA		1
38	900000002	DUMMY PART		1
39	532145006	KLÄMMA		1
40	900000002	DUMMY PART		1
41	583940502	FÄSTE		1



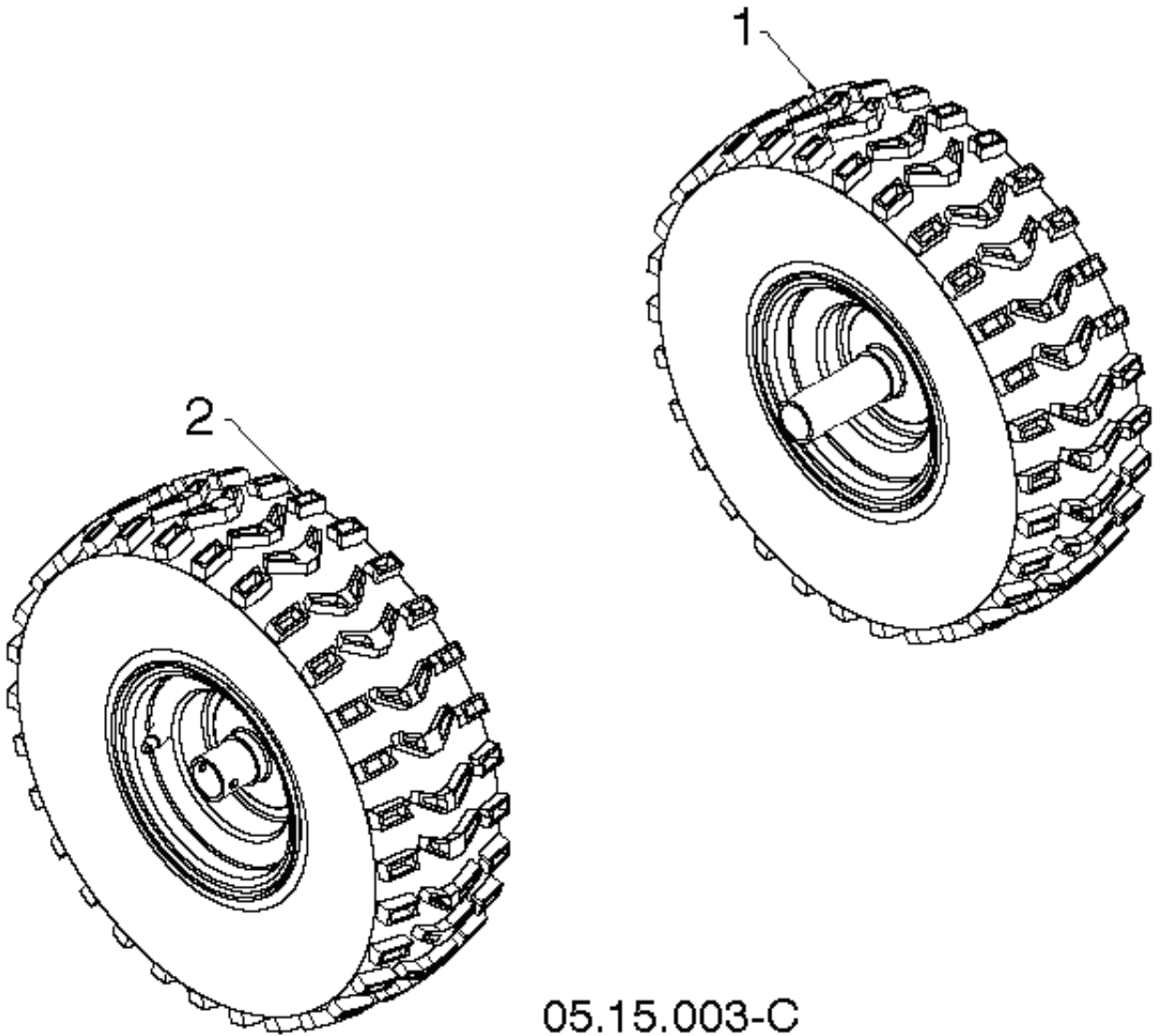
REF.	ART. NR	ARTIKELBESKRIVNING	ANMÄRKNING	KIT
1	587463001	HÄVARM	For 96193009703, 96193009702, 96191008801, 96191008800, 96193009701	1
2	581208201	KABEL	For 96193009703, 96193009702, 96191008801, 96191008800, 96193009701	1
3	585690701	SCREW	For 96193009703, 96193009702, 96191008801, 96191008800, 96193009701	1
4	532431762	PENNOR	For 96193009703, 96193009702, 96191008801, 96191008800, 96193009701	1
5	812000014	FLÄNSRING	For 96193009703, 96193009702, 96191008801, 96191008800, 96193009701	1
6	581329501	SCREW	For 96193009706, 96191008805, 96193009705, 96191008804, 96191008803, 96193009704, 96191008802	1
7	817060410	SCREW	For 96193009706, 96191008805, 96193009705, 96191008804, 96191008803, 96193009704, 96191008802	1
8	817411308	SCREW	For 96193009706, 96191008805, 96193009705, 96191008804, 96191008803, 96193009704, 96191008802	1
9	588147701	TAPP	For 96193009706, 96191008805, 96193009705, 96191008804, 96191008803, 96193009704, 96191008802	1
10	812000014	FLÄNSRING	For 96193009703, 96193009702, 96191008801, 96191008800, 96193009701	1
11	587463001	HÄVARM	For 96193009703, 96193009702, 96191008801, 96191008800, 96193009701	1
12	587739702	HÄVARM	For 96193009706, 96191008805, 96193009705, 96191008804, 96191008803, 96193009704, 96191008802, RH	1
13	588263902	KABEL	For 96193009706, 96191008805, 96193009705, 96191008804, 96191008803, 96193009704, 96191008802, RH	1
14	587739701	HÄVARM	For 96193009706, 96191008805, 96193009705, 96191008804, 96191008803, 96193009704, 96191008802, LH	1

REF.	ART. NR	ARTIKELBESKRIVNING	ANMÄRKNING	KIT
15	588263901	KABEL	For 96193009706, 96191008805, 96193009705, 96191008804, 96191008803, 96193009704, 96191008802, LH	1
16	581131212	KONSOL		1
17	585805001	BRYTARE		1
18	817060410	SCREW	For 96193009706, 96191008805, 96193009705, 96191008804, 96191008803, 96193009704, 96191008802	1
19	581329501	SCREW	For 96193009706, 96191008805, 96193009705, 96191008804, 96191008803, 96193009704, 96191008802	1
20	581127901	KÅPA		1
21	532194189	SCREW		1
22	532059349	MUTTER	For 96191008804, 96191008803, 96191008802, 96191008801, 96191008800, 96191008805	1
23	581928701	KLÄMMA		1
24	586723501	LIGHT		1
25	586723601	LIGHT		1
26	585868301	SELE		1
27	581123902	HÄVARM		1
28	586668901	MUTTER		1
29	581329601	FJÄDER		1
30	581329702	BULT		1
31	584468402	BRACE		1
32	587031301	BRICKA		1
33	581241602	HÄVARM		1
34	583473901	RÄFFELPINNE		1
35	593853401	KABEL		1
36	812000014	FLÄNSRING	For 96193009703, 96193009702, 96191008801, 96191008800, 96193009701	1
37	581151201	FJÄDER		1
38	532197991	KLÄMMA	For 96191008802	1
39	588113702	KABEL	For 96191008802	1
39	587641801	KABEL	For 96193009703, 96193009702, 96191008801, 96191008800, 96193009701	1
39	582519002	KABEL	For 96193009706, 96191008805, 96193009705, 96191008804, 96191008803, 96193009704	1
40	532197991	KLÄMMA	For 96191008802	1
40	581726101	BULT	For all EXCEPT 96191008802	1
41	585808301	PENNOR	For 96191008800, 96193009701	1
41	532423303	HAIR PIN COTTER	For 96191008800, 96193009701	1
42	532423303	HAIR PIN COTTER	For 96191008800, 96193009701	1
42	581329401	PENNOR	For 96191008800, 96193009701	1
43	585808301	PENNOR	For 96191008800, 96193009701	1
44	581329401	PENNOR	For 96191008800, 96193009701	1
44	532428124	KLÄMMA	For 96191008802	1
45	593848401	KABEL	For 96191008805	1
45	588122301	KABEL	For all EXCEPT 96191008805	1



REF.	ART. NR	ARTIKELBESKRIVNING	ANMÄRKNING	KIT
46	587428701	KABEL	For 96193009703, 96193009702, 96191008801. For 96193009703	1
46	581128201	KABEL	For 96191008800, 96193009701	1
46	588113802	KABEL	For 96193009703	1
47	532197991	KLÄMMA	For 96191008802	1
47	532428124	KLÄMMA	For 96191008802	1
48	585808301	PENNOR	For 96191008800, 96193009701	1
49	532423303	HAIR PIN COTTER	For 96191008800, 96193009701	1
50	581329401	PENNOR	For 96191008800, 96193009701	1
51	584290201	SELE	For 96191008800, 96193009701	1
51	587535701	SELE	For all EXCEPT 96191008800, 96193009701	1
52	532145006	KLÄMMA	For all EXCEPT 96191008800, 96193009701	1
53	581680302	KABLAGE KPL		1
54	581329401	PENNOR	For 96191008800, 96193009701	1
55	877100812	PENNOR		1
56	532423303	HAIR PIN COTTER	For 96191008800, 96193009701	1
57	584652201	KLÄMMA		1
58	587130801	PENNOR	For all EXCEPT For 96193009706, 96191008805	1
58	587130803	TAPP	For 96193009706, 96191008805	1
59	586682101	BRICKA		1
60	590493601	GREPP		1
61	532442250	SCREW		1
62	532444041	UTKASTARRÖR KPL	For 96191008800, 96193009701	1
62	588077802	UTKASTARRÖR KPL	For all EXCEPT 96191008800, 96193009701, INCLUDES KEY NUMBERS 1-6	1
63	532184113	DEFLEKTOR	For 96191008800, 96193009701	1
63	900000002	DUMMY PART	For all EXCEPT 96191008800, 96193009701, DEFLECTOR	1
64	900000002	DUMMY PART	For all EXCEPT 96191008800, 96193009701, DEFLECTOR	1
64	532420325	SEAL	For 96191008800, 96193009701	1
65	900000002	DUMMY PART	For all EXCEPT 96191008800, 96193009701, DEFLECTOR	1
65	532128415	NIT	For 96191008800, 96193009701	1
66	900000002	DUMMY PART	For all EXCEPT 96191008800, 96193009701, DEFLECTOR	1
66	532430324	SKÄRM	For 96191008800, 96193009701	1
67	900000002	DUMMY PART	For all EXCEPT 96191008800, 96193009701, DEFLECTOR	1
67	532421728	FÄSTE	For 96191008800, 96193009701	1
68	586961501	KABEL	For 96193009703, 96191008802, 96193009702, 96191008801, 96191008800, 96193009701	1
68	590587002	KABEL	For 96193009706, 96191008805	1
68	590587001	KABEL	For 96193009705, 96191008804, 96191008803, 96193009704	1
69	581329401	PENNOR	For 96191008800, 96193009701	1

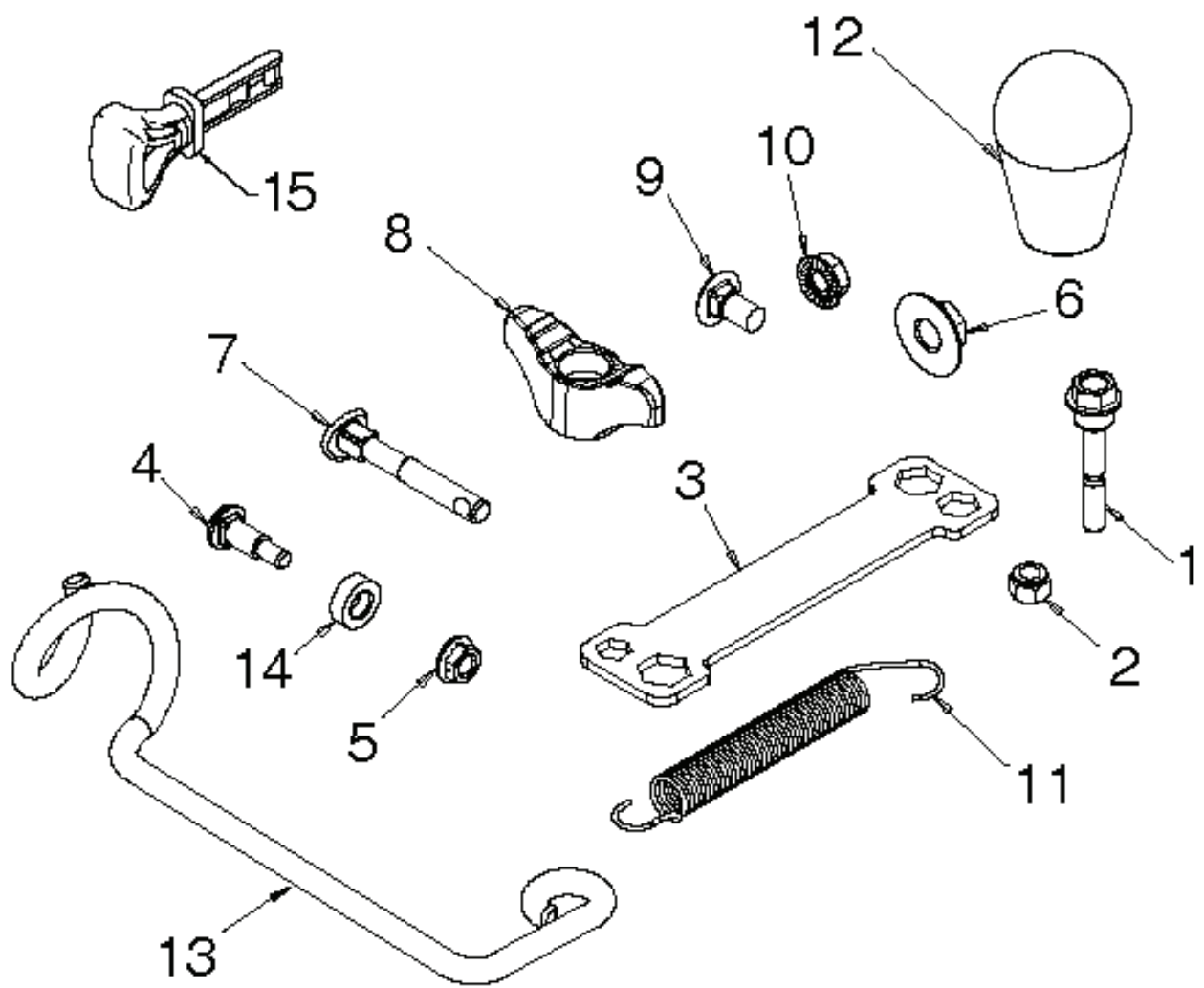
REF.	ART. NR	ARTIKELBESKRIVNING	ANMÄRKNING	KIT
70	585808301	PENNOR	For 96191008800, 96193009701	1
71	532423303	HAIR PIN COTTER	For 96191008800, 96193009701	1
72	593622201	SKYDD	For 96191008805	1
72	532435582	SKYDD	For 96191008804, 96191008803, 96191008802, 96191008801, 96191008800	1
73	532435616	FJÄDER	For 96191008804, 96191008803, 96191008802, 96191008801, 96191008800, 96191008805	1
74	585691401	MUTTER	INCLUDED IN BAG OF PARTS	1
75	585832001	BULT	For 96193009703, 96193009702, 96191008801, INCLUDED IN BAG OF PARTS	1
76	585691501	MUTTER	For 96191008800, 96193009701, INCLUDED IN BAG OF PARTS	1
77	501417401	BRICKA	For all EXCEPT 96193009703, 96193009702, 96191008801, 96191008800, 96193009701, INCLUDED IN BAG OF PARTS	1
78	585832001	BULT	For 96193009703, 96193009702, 96191008801, INCLUDED IN BAG OF PARTS	1
78	532184505	FJÄDER	For 96191008800, 96193009701, INCLUDED IN BAG OF PARTS	1
78	501417301	BULT	For all EXCEPT 96193009703, 96193009702,	1
79	532184505	FJÄDER	For 96191008800, 96193009701, INCLUDED IN BAG OF PARTS	1
81	581124201	KABEL	For 96191008800, 96193009701	1
123	532428677	DEKAL	For 96193009703, 96191008802, 96193009702, 96191008801	1



05.15.003-C

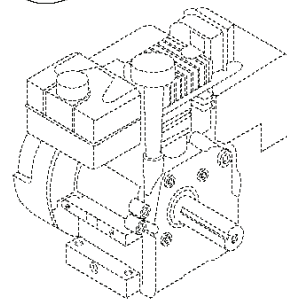
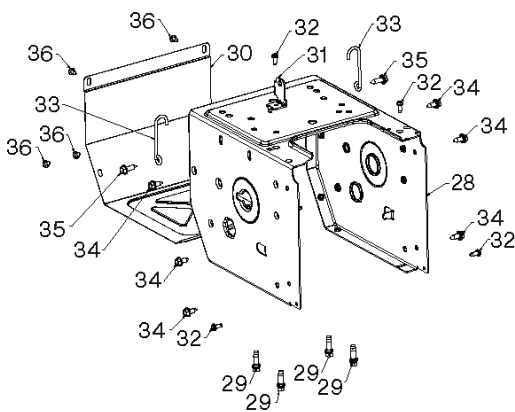
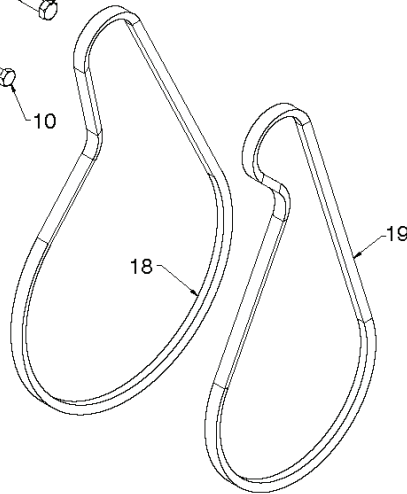
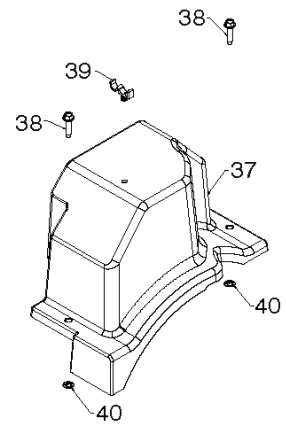
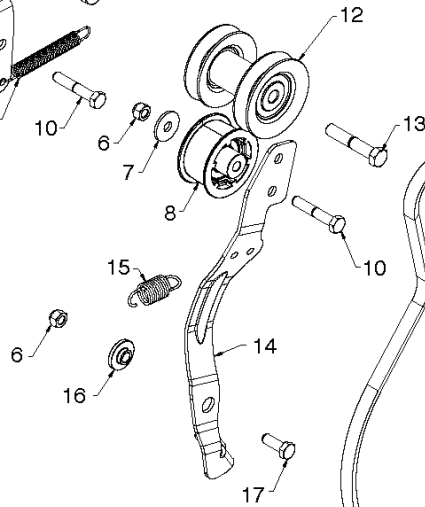
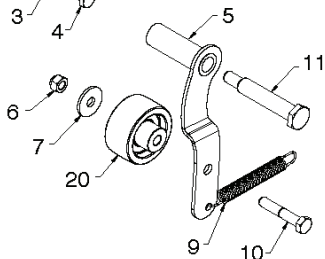
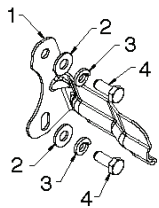
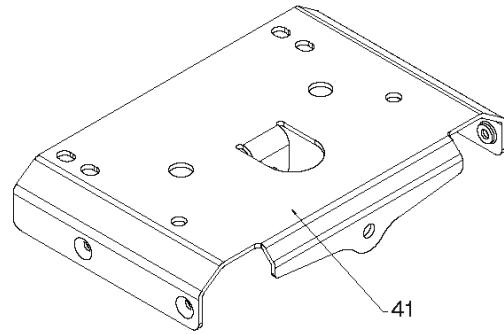
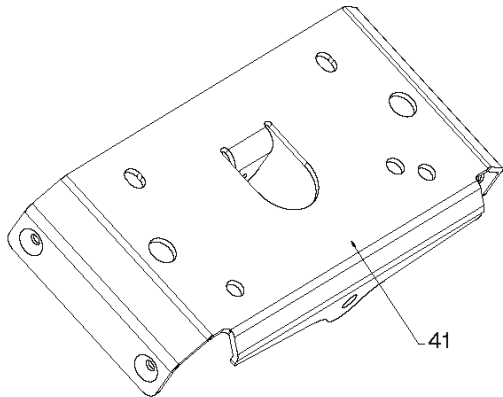
---

REF.	ART. NR	ARTIKELBESKRIVNING	ANMÄRKNING	KIT
1	586710401	HJUL	LH	1
2	586710301	HJUL	RH	1



REF.	ART. NR	ARTIKELBESKRIVNING	ANMÄRKNING	KIT
1	588077502	BULT		1
2	595086601	MUTTER	For 96193009706. 96191008805	1
2	873800400	MUTTER	For all EXCEPT 96193009706, 96191008805	1
3	532429112	SKIFTNYPCKEL	For all EXCEPT 96193009706, 96191008805	1
4	585832201	BULT	For 96193009703, 96193009702, 96191008801, 96191008800, 96193009701	1
4	501417301	BULT	For 96193009706	1
5	501417301	BULT	For 96193009706	1
5	585691401	MUTTER	For all EXCEPT 96193009706	1
6	585691001	MUTTER		1
7	588059901	BULT	For 96191008800, 96193009701	1
7	532191574	SCREW	For 96191008800, 96193009701	1
8	532191938	KNOPP		1
9	585832001	BULT		1
10	873970500	MUTTER	For all EXCEPT 96191008800	1
11	532184505	FJÄDER		1
12	581697501	KNOPP		1
13	581897301	STÖD	For all EXCEPT 96191008805	1
13	596976801	STÖD	For 96191008805	1
14	501417401	BRICKA	For all EXCEPT 96193009703, 96193009702, 96191008801, 96191008800, 96193009701	1
15	532443059	SATS		1
21	587421003	VÄSKA	For 96193009701	1
22	588077603	VÄSKA		1

For all except 96193009706,  
96191008805, 96193009705, 96191008804



REF.	ART. NR	ARTIKELBESKRIVNING	ANMÄRKNING	KIT
1	581623702	FÄSTE	For 96191008800, 96193009701	1
1	588492802	FÄSTE	For all EXCEPT 96191008800, 96193009701	1
1	585335706	MOTOR	LCT - PW2HK18750178E	1
2	819111216	BRICKA		1
2	585335704	MOTOR	For 96191008803, 96191008802, 96191008801, 96191008800, LCT - PW2HK18750178Y	1
3	810040500	BRICKA		1
4	874610512	SCREW		1
5	581338203	ARM		1
6	873800500	LOCK NUT		1
7	532059289	BRICKA		1
8	581141401	REMSKIVA		1
9	580753001	FJÄDER		1
10	874760528	BULT		1
11	581413801	BULT		1
12	587893703	REMSKIVA		1
13	532191760	SCREW	For 96193009703, 96193009702, 96191008801	1
13	582388401	BULT	For 96191008803, 96193009704, 96191008802	1
13	532179617	SCREW	For 96191008800, 96193009701	1
14	580831102	FÄSTE	For 96191008800, 96193009701	1
14	580831104	FÄSTE	For 96193009703, 96193009702, 96191008801, 96193009701	1
14	580831106	FÄSTE	For 96191008803, 96193009704, 96191008802	1
15	587031201	FJÄDER	For all EXCEPT 96193009704	1
15	587343701	BUSHING	For 96193009704	1
16	587343701	BUSHING	For 96193009704	1
17	874760514	BULT		1
18	584216102	REM		1
19	501818201	REM		1
20	586880201	REMSKIVA		1
28	580839405	RAM		1
29	532150406	BULT		1
30	580839505	KÅPA		1
31	501060403	FÄSTE		1
32	817060410	SCREW	For all EXCEPT 96191008803, 96193009704	1
32	582906901	SCREW	For 96191008803, 96193009704	1
33	588954501	STÖD		1
34	532428867	BULT		1
35	585217501	SCREW		1
36	593337201	SCREW	For 96191008803	1
36	817060408	SCREW	For 96191008802	1
37	581049901	KÅPA	For 96191008800, 96193009701	1
37	587105401	KÅPA	For all EXCEPT 96191008800, 96193009701	1
38	900000002	DUMMY PART	For all EXCEPT 96191008800, 96193009701	1
38	585691101	SCREW	For 96191008800, 96193009701	1
39	532145006	KLÄMMA		1
40	900000002	DUMMY PART	For all EXCEPT 96191008800, 96193009701	1
40	532423062	MUTTER	For 96191008800, 96193009701	1
41	583940502	FÄSTE		1