

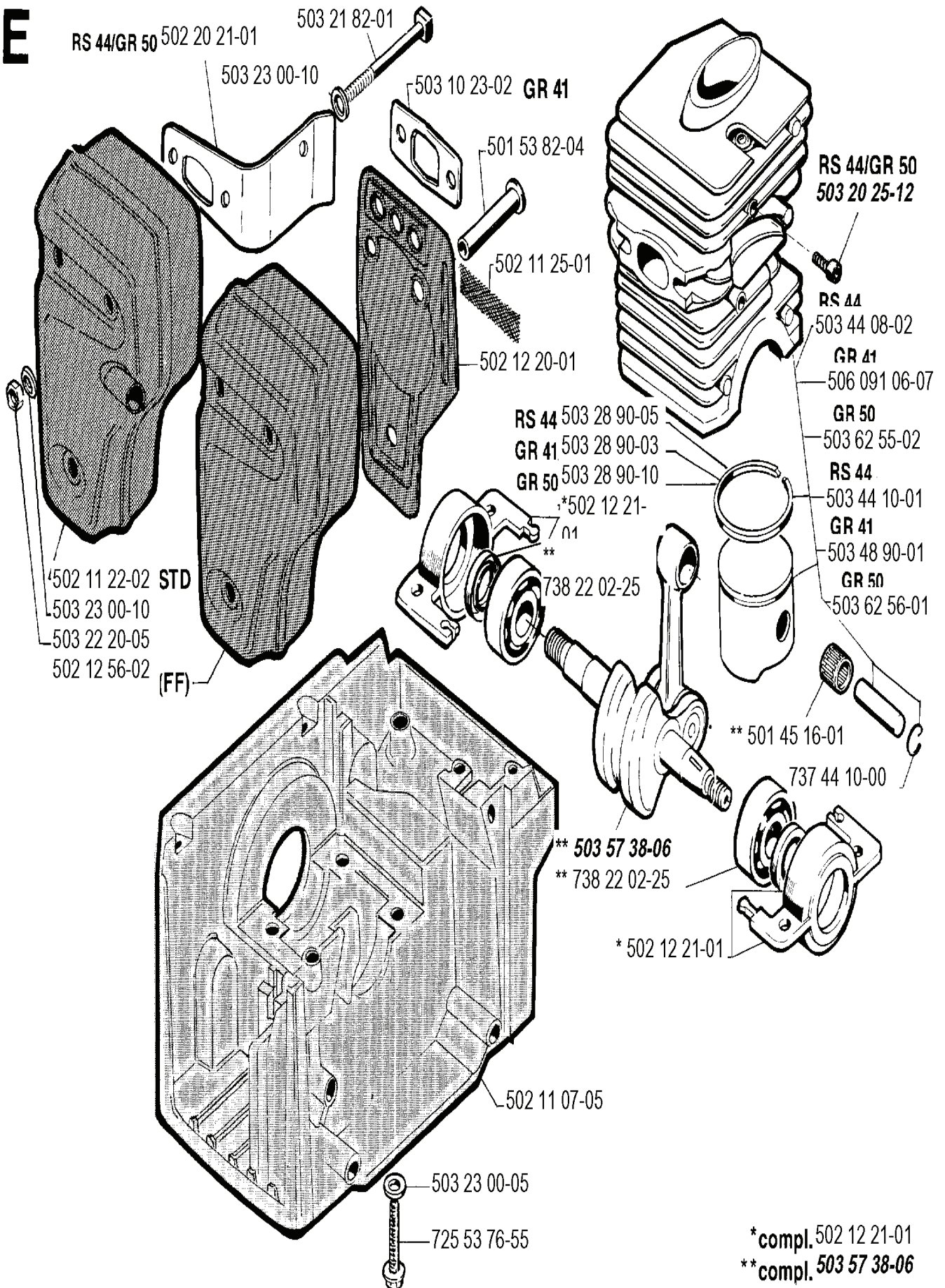
RESERVDELSKATALOG

: JONSERED

Reservdelslista

RESERVDELSLISTA

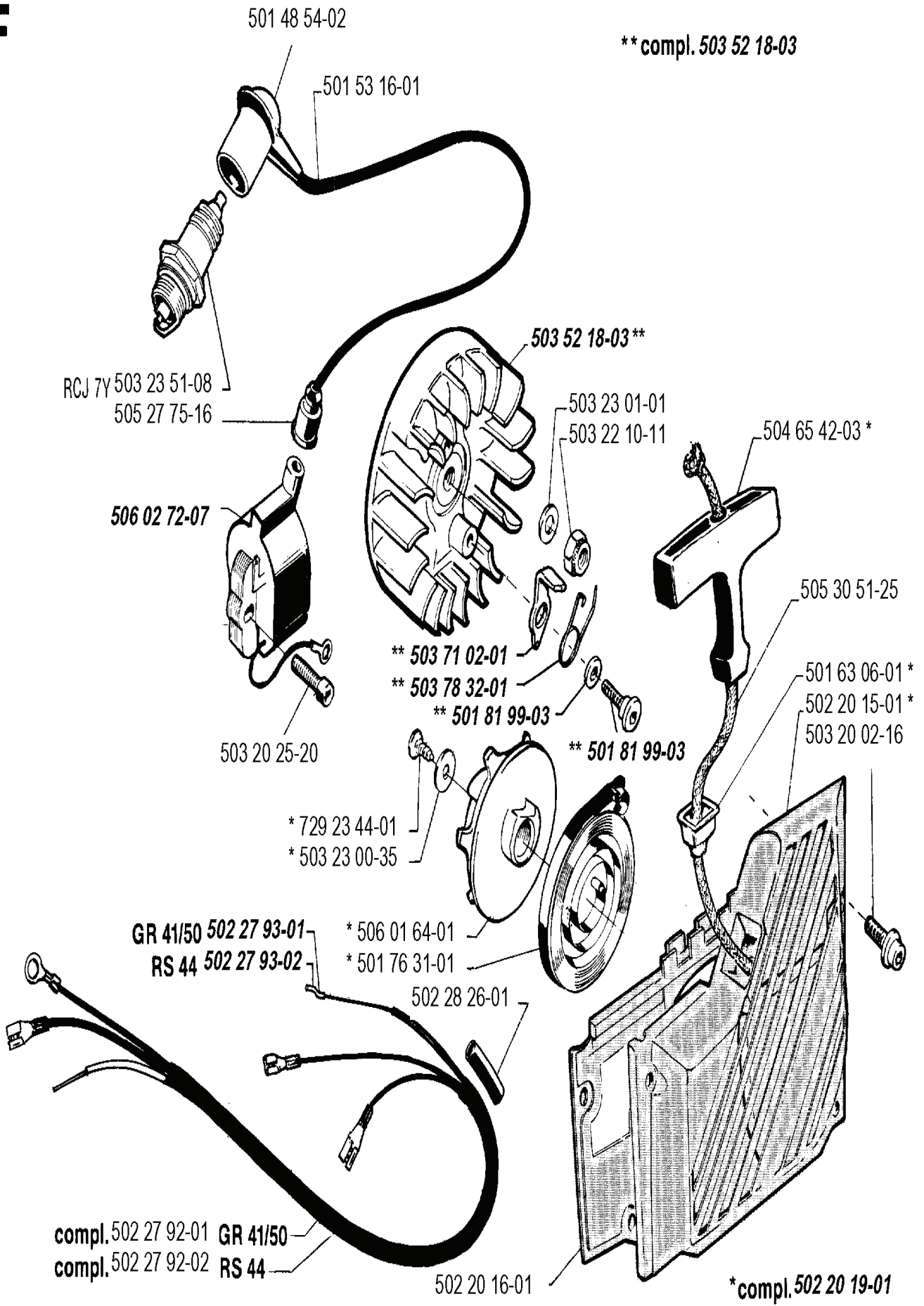
E



*compl. 502 12 21-01
**compl. 503 57 38-06

| REF. | ART. NR | ARTIKELBESKRIVNING | ANMÄRKNING | KIT |
|---------------|-----------|--------------------|-------------|-----|
| 502 20 21-01 | 502202101 | VÄRMEAVLEDARE | RS 44/GR 50 | 1 |
| 502 11 22-02 | 502112202 | LJUDDÄMPARE KPL | STD | 1 |
| 503 23 00-10 | 503230010 | BRICKA | | 1 |
| 503 22 20-05 | 503222005 | LOCK NUT | | 1 |
| 502 12 56-02 | 502125602 | LJUDDÄMPARE KPL | FF | 1 |
| 725 53 76-55 | 725537655 | SKRUV IHSCM | | 1 |
| 503 23 00-05 | 503230005 | BRICKA | | 1 |
| 502 11 07-05 | 502110705 | VEVHUS | | 1 |
| 503 21 82-01 | 503218201 | SCREW | | 1 |
| 503 10 23-02 | 503102302 | GASKET MUFFLER | GR 41 | 1 |
| 501 53 82-04 | 501538204 | DISTANSRÖR | | 1 |
| 502 11 25-01 | 502112501 | GNISTFÅNGARNÄT | | 1 |
| 502 12 20-01 | 502122001 | SKYDDSPÅT | | 1 |
| 503 28 90-05 | 503289005 | KOLVRING | RS 44 | 1 |
| 503 28 90-03 | 503289003 | KOLVRING | GR 41 | 1 |
| 503 28 90-10 | 503289010 | KOLVRING | GR 50 | 1 |
| 502 12 21-01 | 502122101 | AXELSÅTE | | 1 |
| 738 22 02-25 | 738220225 | KULLAGER | | 1 |
| 503 57 38-06 | 503573806 | VEVAXEL KPL | | 1 |
| 737 44 10-00 | 737441000 | LÅSRING | | 1 |
| 501 45 16-01 | 501451601 | NÅLLAGER | | 1 |
| 503 62 56-01 | 503625601 | KOLV KPL | GR 50 | 1 |
| 503 48 90-01 | 503489001 | KOLV KPL | GR 41 | 1 |
| 503 44 10-01 | 503441002 | KOLV KPL | RS 44 | 1 |
| 503 62 55-02 | 503625502 | CYLINDER KPL | GR 50 | 1 |
| 506 091 06-07 | | | GR 41 | 1 |
| 503 44 08-02 | 503440802 | CYLINDER KPL | RS 44 | 1 |
| 503 20 25-12 | 503202512 | SKRUV IHSCM | RS 44/GR 50 | 1 |

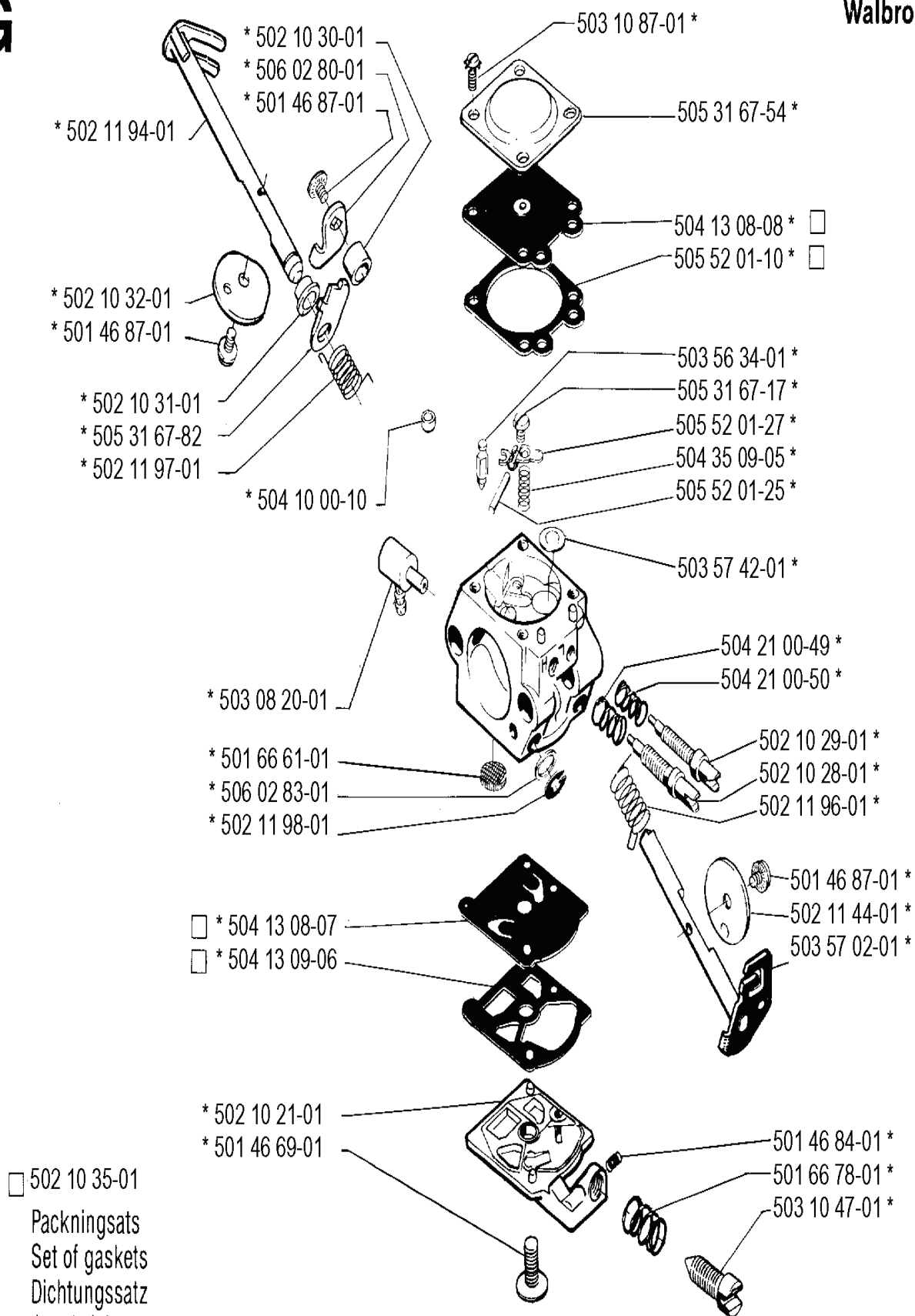
F



| REF. | ART. NR | ARTIKELBESKRIVNING | ANMÄRKNING | KIT |
|--------------|-----------|--------------------|------------|-----|
| 501 48 54-02 | 501485402 | TÄNDSTIFTSSKYDD | | 1 |
| 501 53 16-01 | 501531601 | KABEL | | 1 |
| 503 23 51-08 | 503235108 | TÄNDSTIFT | RCJ 7Y | 1 |
| 505 27 75-16 | 505277516 | SLADDHYLSA | | 1 |
| 506 02 72-07 | 506027207 | ELECTRONIC MODULE | | 1 |
| 503 20 25-20 | 503202520 | SKRUV IHSCM | | 1 |
| 502 27 93-01 | 502279301 | GAS WIRE ASSY | GR 41/50 | 1 |
| 502 27 93-02 | 502279302 | KABEL | RS 44 | 1 |
| 502 27 92-01 | 502279201 | KABLAGE KPL | GR 41/50 | 1 |
| 502 27 92-02 | 502279202 | KABLAGE KPL | RS 44 | 1 |
| 502 20 16-01 | 502201601 | LUFTLEDARE | | 1 |
| 502 28 26-01 | 502282601 | SLANG | | 1 |
| 501 76 31-01 | 501763101 | FJÄDERKASSETT KPL | | 1 |
| 506 01 64-01 | 506016401 | LINHJUL | | 1 |
| 503 23 00-35 | 503230035 | BRICKA | | 1 |
| 729 23 44-01 | 729234401 | SKRUV SLPANT | | 1 |
| 503 71 02-01 | 503710201 | MEDBRINGARHAKE | | 1 |
| 503 78 32-01 | 503783201 | FJÄDER | | 1 |
| 502 20 19-01 | 502201901 | STARTAPPARAT | | 1 |
| 501 81 99-03 | 501819903 | SCREW | | 1 |
| 503 20 02-16 | 503200216 | SKRUV IHSCFM | | 1 |
| 502 20 15-01 | 502201501 | STARTAPPARATHUS | | 1 |
| 501 63 06-01 | 501630601 | HYLSA | | 1 |
| 505 30 51-25 | 505305125 | STARTSNÖRE | | 1 |
| 504 65 42-03 | 504654203 | STARHANDTAG | | 1 |
| 503 22 10-11 | 503221011 | MUTTER (HEXAGON) | | 1 |
| 503 23 01-01 | 503230101 | BRICKA | | 1 |
| 503 52 18-03 | 503521803 | SVÄNGHJUL KPL | | 1 |

G

Walbro WT 99

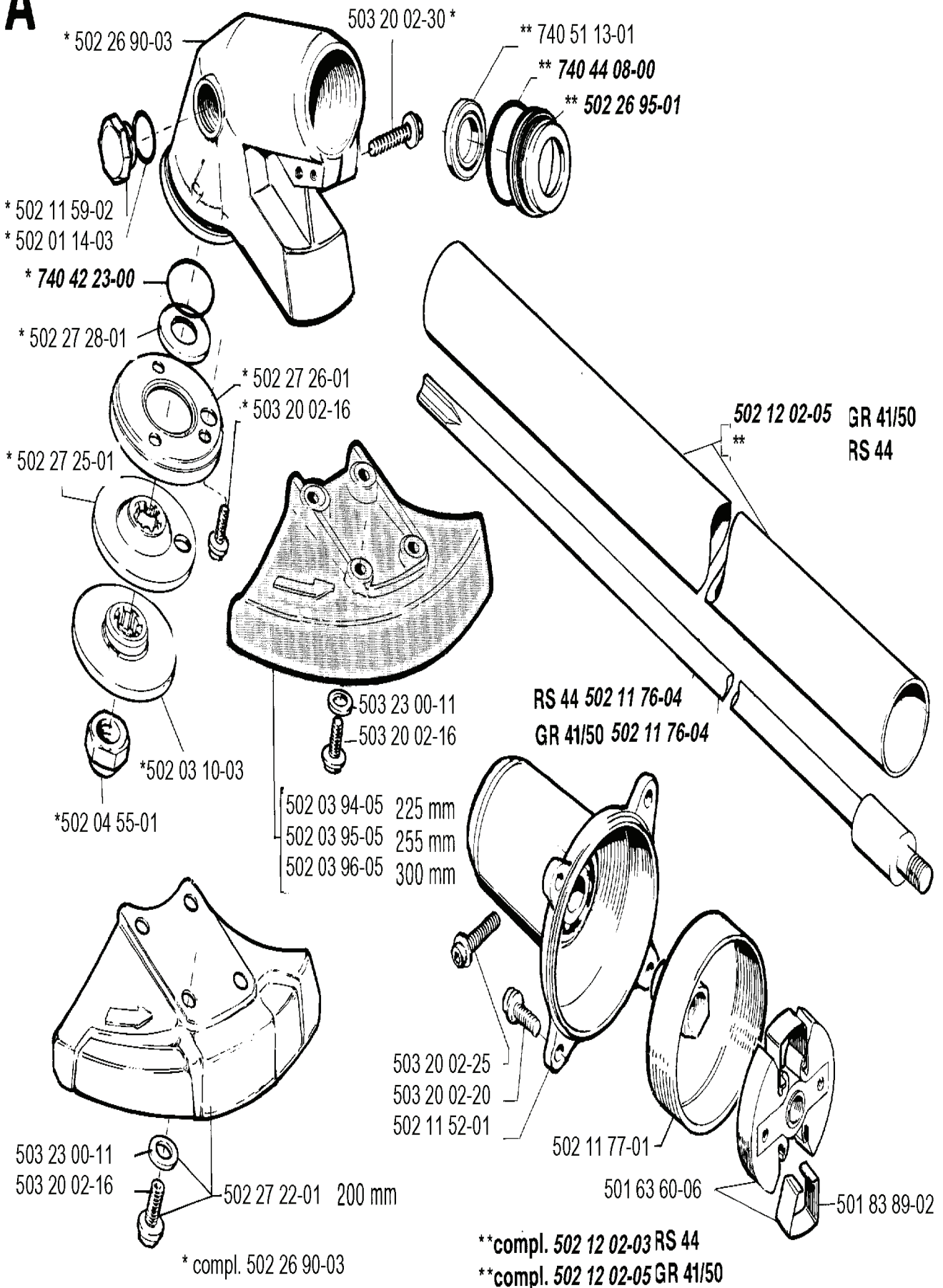


□ 502 10 35-01
Packningsats
Set of gaskets
Dichtungssatz
Jeu de joints
Juego de Juntas

*Compl. 503 28 13-20

| REF. | ART. NR | ARTIKELBESKRIVNING | ANMÄRKNING | KIT |
|--------------|-----------|--------------------|-----------------------------|-----|
| 502 10 30-01 | 502103001 | DISTANS | | 1 |
| 506 02 80-01 | 506028001 | STARTGASARM | | 1 |
| 502 11 94-01 | 502119401 | CHOKEAXEL | | 1 |
| 502 10 32-01 | 502103201 | CHOKE SKIVA | | 1 |
| 501 46 87-01 | 501468701 | SCREW | | 1 |
| 502 10 31-01 | 502103101 | BUSHING | | 1 |
| 505 31 67-82 | 505316782 | HÄVARM | | 1 |
| 502 11 97-01 | 502119701 | RETURFJÄDER | | 1 |
| 504 10 00-10 | 504100010 | PLUGG | | 1 |
| 503 08 20-01 | 503082001 | FITTING | | 1 |
| 501 66 61-01 | 501666101 | NÄT | | 1 |
| 506 02 83-01 | 506028301 | BRICKA | | 1 |
| 502 11 98-01 | 502119801 | SPÄRRING | | 1 |
| 504 13 08-07 | 504130807 | DIAPHRAGM PUMP | 502 10 35-01 SET OF GASKETS | 1 |
| 504 13 09-06 | 504130906 | PACKNING | 502 10 35-01 SET OF GASKETS | 1 |
| 502 10 21-01 | 502102101 | LOCK PUMPSIDA | | 1 |
| 501 46 69-01 | 501466901 | SCREW | | 1 |
| 503 28 13-20 | 503281320 | FÖRGASARE | | 1 |
| 503 10 47-01 | 503104701 | SCREW | | 1 |
| 501 66 78-01 | 501667801 | FJÄDER | | 1 |
| 501 46 84-01 | 501468401 | FJÄDER | | 1 |
| 503 57 02-01 | 503570201 | AXEL KPL | | 1 |
| 502 11 44-01 | 502114401 | TROTTELSKIVA | | 1 |
| 502 11 96-01 | 502119601 | RETURFJÄDER | | 1 |
| 502 10 28-01 | 502102801 | HIGH SPEED NEEDLE | | 1 |
| 502 10 29-01 | 502102901 | LOW SPEED NEEDLE | | 1 |
| 504 21 00-50 | 504210050 | FJÄDER | | 1 |
| 504 21 00-49 | 504210049 | FJÄDER | | 1 |
| 503 57 42-01 | 503574201 | PLUGG | | 1 |
| 505 52 01-25 | 505520125 | TAPP | | 1 |
| 504 35 09-05 | 504350905 | FJÄDER | | 1 |
| 505 52 01-27 | 505520127 | HÄVARM | | 1 |
| 505 31 67-17 | 505316717 | SCREW | | 1 |
| 503 56 34-01 | 503563401 | NÅLVENTIL | | 1 |
| 505 52 01-10 | 505520110 | PACKNING | 502 10 35-01 SET OF GASKETS | 1 |
| 504 13 08-08 | 504130808 | MEMBRAN | 502 10 35-01 SET OF GASKETS | 1 |
| 505 31 67-54 | 505316754 | LOCK STYRMEMBRAN | | 1 |
| 503 10 87-01 | 503108701 | SCREW | | 1 |

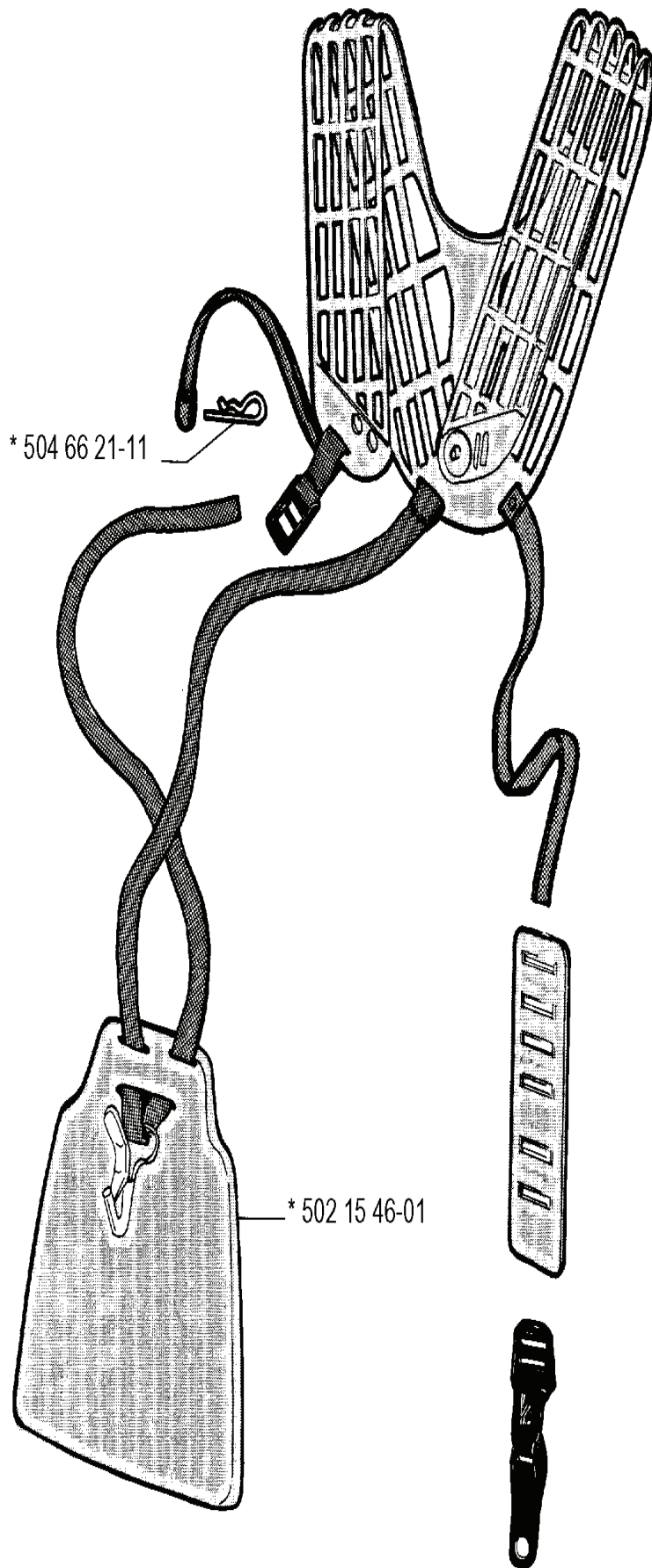
A



| REF. | ART. NR | ARTIKELBESKRIVNING | ANMÄRKNING | KIT |
|--------------|-----------|---------------------|------------|-----|
| 502 11 59-02 | 502115902 | PLUGG | | 1 |
| 502 01 14-03 | 502011403 | PACKNING | | 1 |
| 740 42 23-00 | 740422300 | O-RING | | 1 |
| 502 27 28-01 | 502272801 | BRICKA | | 1 |
| 502 27 25-01 | 502272501 | MEDBRINGARE | | 1 |
| 502 03 10-03 | 502031003 | STÖDFLÄNS | | 1 |
| 502 04 55-01 | 502045501 | MUTTER | | 1 |
| 503 20 02-16 | 503200216 | SKRUV IHSCFM | | 1 |
| 502 26 90-03 | 502269003 | VÄXEL KPL | | 1 |
| 502 27 22-01 | 502272201 | SAW BLADE GUARD | 200 MM | 1 |
| 502 11 52-01 | 502115201 | KOPPLINGSKÅPA KPL | | 1 |
| 503 20 02-20 | 503200220 | SKRUV IHSCFM | | 1 |
| 503 20 02-25 | 503200225 | SKRUV IHSCFM | | 1 |
| 502 03 96-05 | 502039605 | KLINGSKYDD | 300 MM | 1 |
| 502 03 95-05 | 502039505 | KLINGSKYDD | 255 MM | 1 |
| 502 03 94-05 | 502039405 | SAW BLADE GUARD | 225 MM | 1 |
| 503 23 00-11 | 503230011 | BRICKA | | 1 |
| 502 27 26-01 | 502272601 | KÅPA | | 1 |
| 503 20 02-30 | 503200230 | SKRUV IHSCFM | | 1 |
| 740 51 13-01 | 740511301 | SEALING RING | | 1 |
| 740 44 08-00 | 740440800 | O-RING | | 1 |
| 502 26 95-01 | 502269501 | SEALING RING HOLDER | | 1 |
| 502 11 76-04 | 502117604 | DRIVAXEL KPL | GR 41/50 | 1 |
| 502 11 77-01 | 502117701 | KOPPLINGSTRUMMA KPL | | 1 |
| 501 63 60-06 | 501636006 | KOPPLING KPL | | 1 |
| 502 12 02-03 | 502120203 | TUBE ASSY | RS 44 | 1 |
| 501 83 89-02 | 501838902 | KOPPLINGSFJÄDER | | 1 |
| 502 12 02-05 | 502120205 | TUBE ASSY | GR 41/50 | 1 |

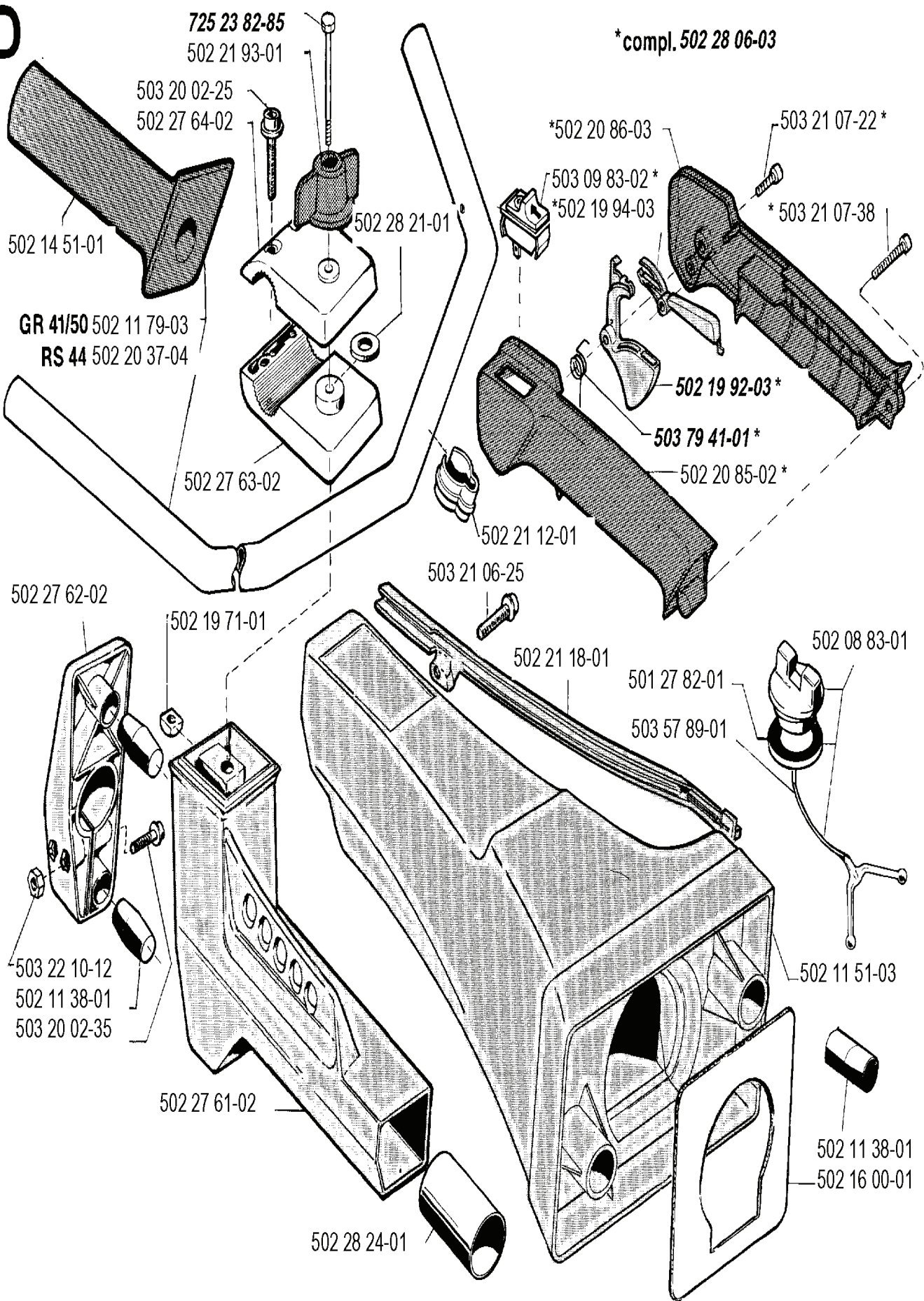
C

* compl. 502 26 10-01
* compl. 502 26 10-02 USA



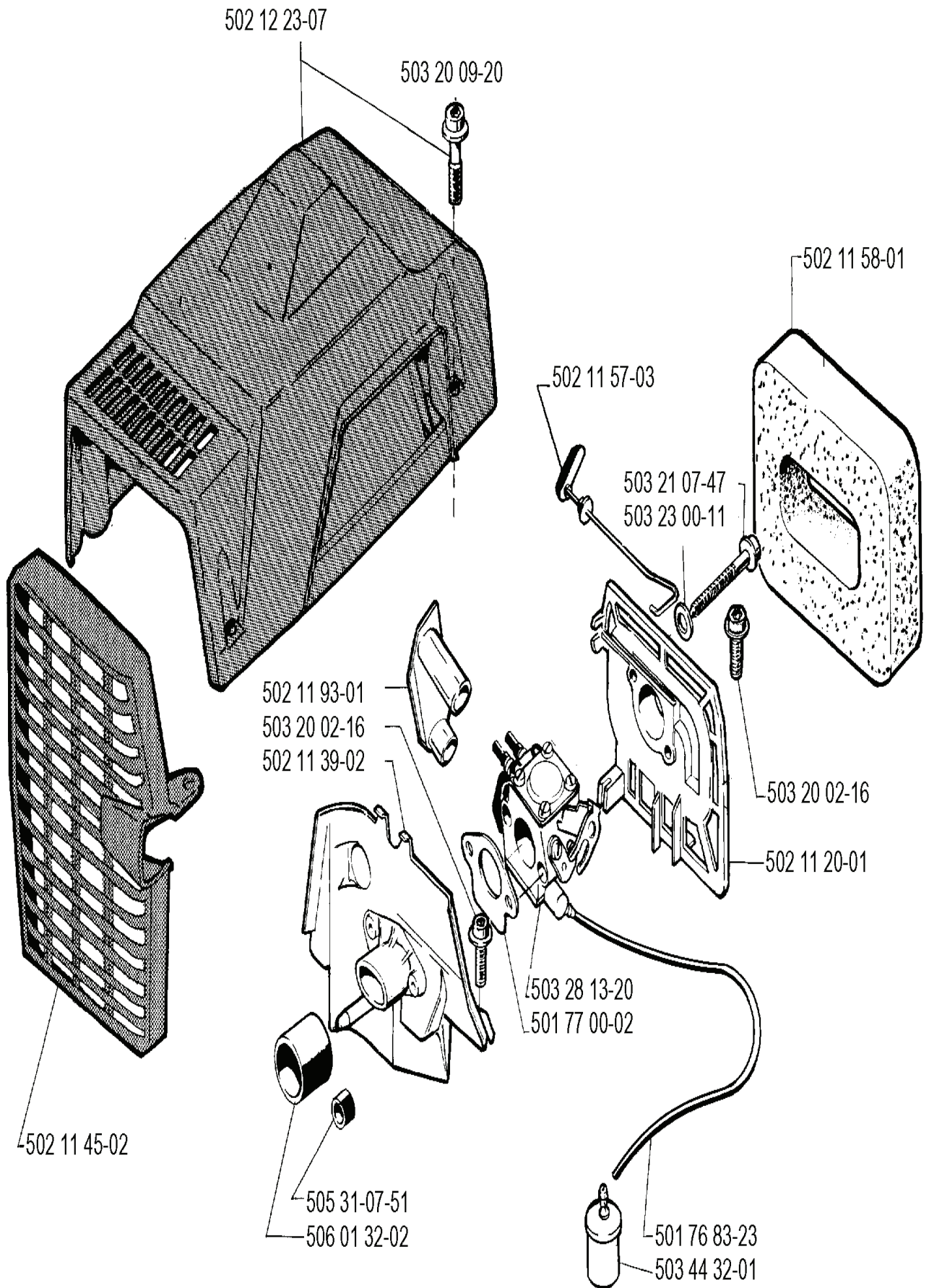
| REF. | ART. NR | ARTIKELBESKRIVNING | ANMÄRKNING | KIT |
|--------------|-----------|--------------------|------------|-----|
| 504 66 21-11 | 504662111 | HAIR PIN COTTER | | 1 |
| 502 15 46-01 | 502154601 | HÖFTPUTA | | 1 |
| 502 26 10-02 | 502261002 | SELE KPL | USA | 1 |
| 502 26 10-01 | 502261001 | SELE | | 1 |

D



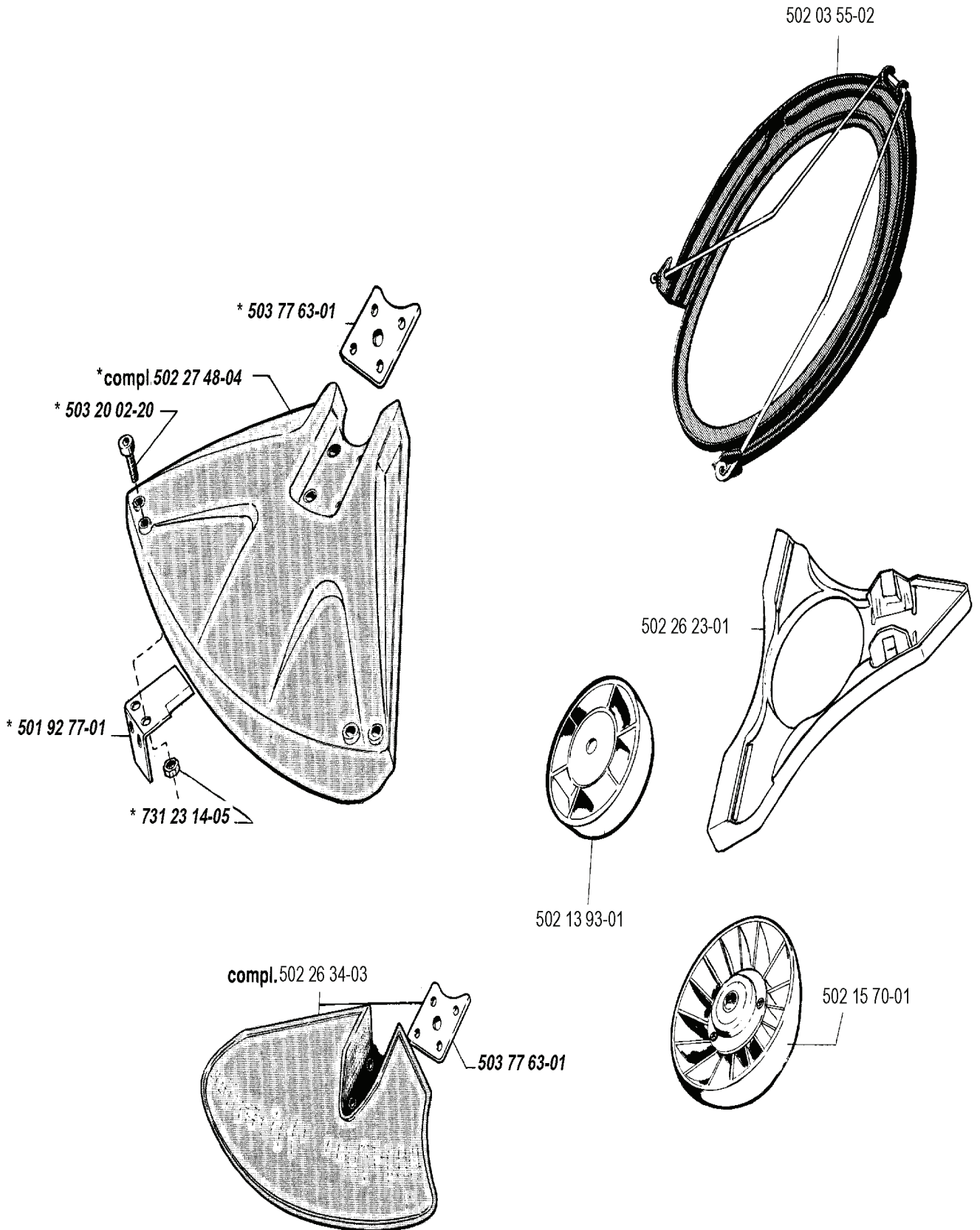
| REF. | ART. NR | ARTIKELBESKRIVNING | ANMÄRKNING | KIT |
|--------------|-----------|--------------------|------------|-----|
| 725 23 82-85 | 725238285 | SKRUV EHHM | | 1 |
| 502 21 93-01 | 502219301 | TURNING KNOB | | 1 |
| 503 20 02-25 | 503200225 | SKRUV IHSCFM | | 1 |
| 502 27 64-02 | 502276402 | STYRHÅLLARE | | 1 |
| 502 14 51-01 | 502145101 | HANDTAG | | 1 |
| 502 11 79-03 | 502117903 | HANDLEBAR | GR 41/50 | 1 |
| 502 20 37-04 | 502203704 | HANDLEBAR | RS 44 | 1 |
| 502 27 62-02 | 502276202 | HÅLLARE | | 1 |
| 503 22 10-12 | 503221012 | MUTTER (HEXAGON) | | 1 |
| 502 11 38-01 | 502113801 | VIBRATIONISOLATOR | | 1 |
| 503 20 02-35 | 503200235 | SKRUV IHSCFM | | 1 |
| 502 27 61-02 | 502276102 | UPPHÄNGNING | | 1 |
| 502 19 71-01 | 502197101 | MUTTER 4-KANT | | 1 |
| 502 27 63-02 | 502276302 | STYRHÅLLARE | | 1 |
| 502 28 21-01 | 502282101 | BRICKA | | 1 |
| 502 21 12-01 | 502211201 | KLAMMER | | 1 |
| 503 21 06-25 | 503210625 | SKRUV IHSCFT | | 1 |
| 502 21 18-01 | 502211801 | SKYDD KABLAG | | 1 |
| 502 28 24-01 | 502282401 | DISTANSRING | | 1 |
| 502 16 00-01 | 502160001 | VÄRMESKYDD | | 1 |
| 502 11 51-03 | 502115103 | BRÄNSLETANK KPL | | 1 |
| 503 57 89-01 | 503578901 | HÅLLARE | | 1 |
| 501 27 82-01 | 501278201 | PACKNING | | 1 |
| 502 08 83-01 | 502088301 | TANKLOCK KPL | | 1 |
| 502 20 85-02 | 502208502 | HANDTAGSHALVA | | 1 |
| 503 79 41-01 | 503794101 | RETURFJÄDER | | 1 |
| 502 19 92-03 | 502199203 | THROTTLE TRIGGER | | 1 |
| 503 21 07-38 | 503210738 | SKRUV IHSCFT | | 1 |
| 503 21 07-22 | 503210722 | SKRUV IHSCFT | | 1 |
| 502 19 94-03 | 502199403 | GASSPÄRR | | 1 |
| 503 09 83-02 | 503098302 | STOPPKONTAKT | | 1 |
| 502 20 86-03 | 502208603 | HANDTAGSHALVA | | 1 |
| 502 28 06-03 | 502280603 | REGLAGE | | 1 |

B



| REF. | ART. NR | ARTIKELBESKRIVNING | ANMÄRKNING | KIT |
|--------------|-----------|--------------------|------------|-----|
| 502 12 23-07 | 502122307 | CYLINDERKÅPA KPL | | 1 |
| 502 11 45-02 | 502114502 | VÄRMESKYDD | | 1 |
| 506 01 32-02 | 506013202 | INSUGSRÖR | | 1 |
| 505 31-07-51 | 505310751 | IMPULSSLANG | | 1 |
| 502 11 39-02 | 502113902 | MELLANVÄGG | | 1 |
| 503 20 02-16 | 503200216 | SKRUV IHSCFM | | 1 |
| 502 11 93-01 | 502119301 | STYRHYLSA | | 1 |
| 503 20 09-20 | 503200920 | SKRUV IHSCFMO | | 1 |
| 502 11 57-03 | 502115703 | CHOKEREGLAGE | | 1 |
| 503 28 13-20 | 503281320 | FÖRGASARE | | 1 |
| 501 77 00-02 | 501770002 | PACKNING | | 1 |
| 501 76 83-23 | 501768323 | BRÄNSLESLANG | | 1 |
| 503 44 32-01 | 503443201 | BRÄNSLEFILTER | | 1 |
| 502 11 20-01 | 502112001 | FILTERHÅLLARE | | 1 |
| 503 23 00-11 | 503230011 | BRICKA | | 1 |
| 503 21 07-47 | 503210747 | SKRUV IHSCFT | | 1 |
| 502 11 58-01 | 502115801 | LUFTFILTER | | 1 |

I



| REF. | ART. NR | ARTIKELBESKRIVNING | ANMÄRKNING | KIT |
|--------------|-----------|--------------------|------------|-----|
| 503 77 63-01 | 503776301 | BASEPLATE | | 1 |
| 502 27 48-04 | 502274804 | STÄNKSKYDD | | 1 |
| 503 20 02-20 | 503200220 | SKRUV IHSCFM | | 1 |
| 501 92 77-01 | 501927701 | BLADE KIT | | 1 |
| 731 23 14-05 | 731231405 | MUTTER (HEXAGON) | | 1 |
| 502 26 34-03 | 502263403 | SPRUTSKYDD | | 1 |
| 502 15 70-01 | 502157001 | STÖDKOPP | | 1 |
| 502 13 93-01 | 502139301 | STÖDKOPP | | 1 |
| 502 26 23-01 | 502262301 | TRIMSKYDD KPL | | 1 |
| 502 03 55-02 | 502035502 | TRANSPORTSKYDD KPL | | 1 |

H

Jonsered GR 41

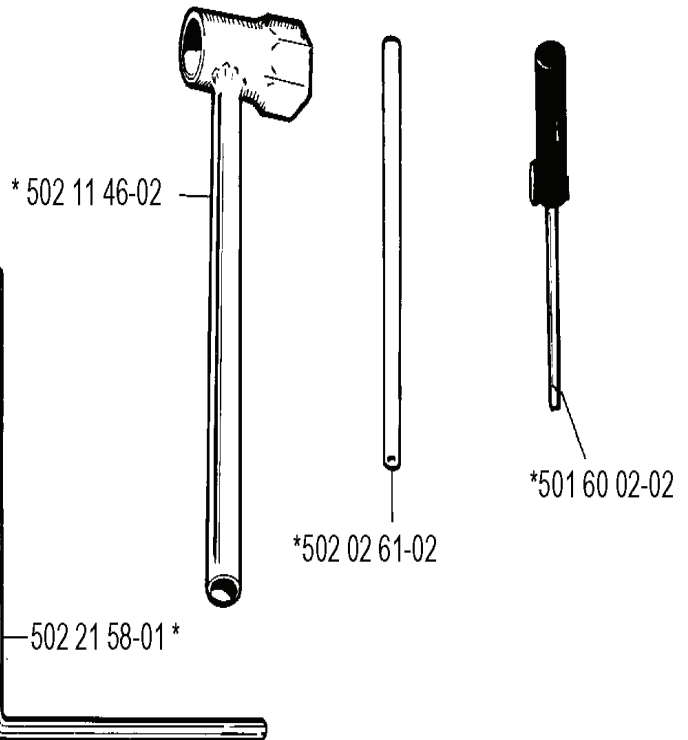
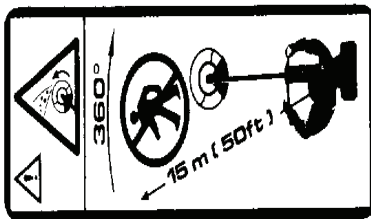
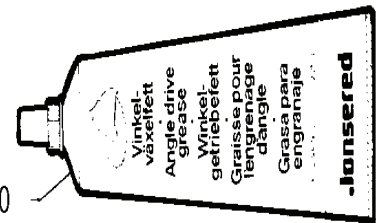
502 20 51-01

Jonsered R5 44

502 20 53-01

Jonsered GR 50

502 28 16-01



*compl. 502 11 03-02

| REF. | ART. NR | ARTIKELBESKRIVNING | ANMÄRKNING | KIT |
|--------------|-----------|--------------------|------------|-----|
| 502 20 51-01 | 502205101 | DEKAL | GR 41 | 1 |
| 502 20 53-01 | 502205301 | DEKAL | RS 44 | 1 |
| 502 28 16-01 | 502281601 | DEKAL | GR 50 | 1 |
| 503 80 87-01 | 503808701 | DEKAL | | 1 |
| 502 21 58-01 | 502215801 | SKIFTNYCKEL | | 1 |
| 502 11 03-02 | 502110302 | VERKTYGSSATS | | 1 |
| 502 02 61-02 | 502026102 | STOPP | | 1 |
| 501 60 02-02 | 501600202 | SKRUVMEJSEL | | 1 |
| 502 11 46-02 | 502114602 | HYLSNYCKEL | | 1 |
| 504 98 00-20 | 504980020 | FETT | | 1 |