

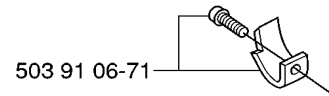
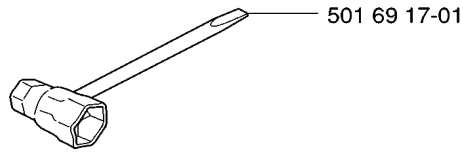
RESERVDELSKATALOG

: JONSERED

Reservdelslista

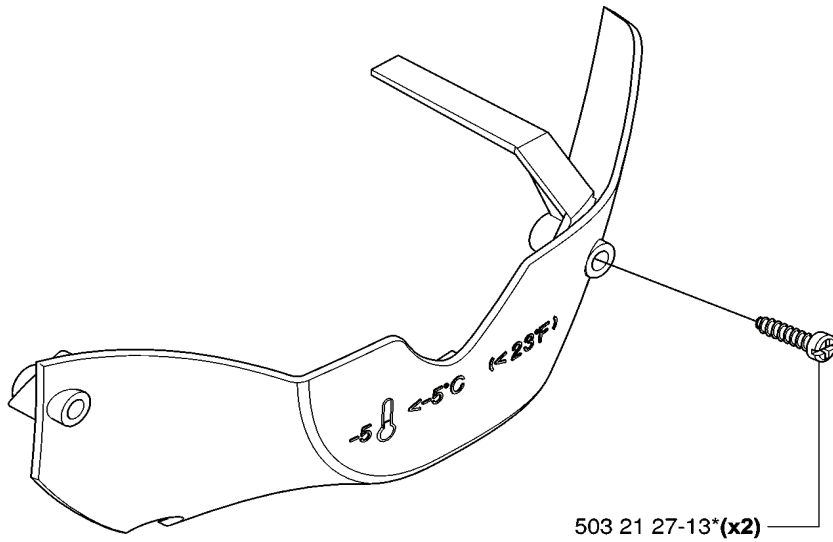
RESERVDELSLISTA

P Tillbehör
Accessories
Zubehöre
Accessoires
Accesorios



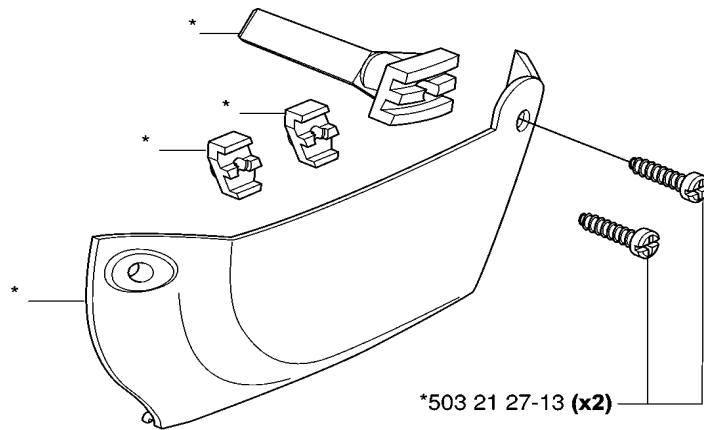
Winter kit

*compl 544 34 44-01 (CS2141S, CS2145S)



Winter kit

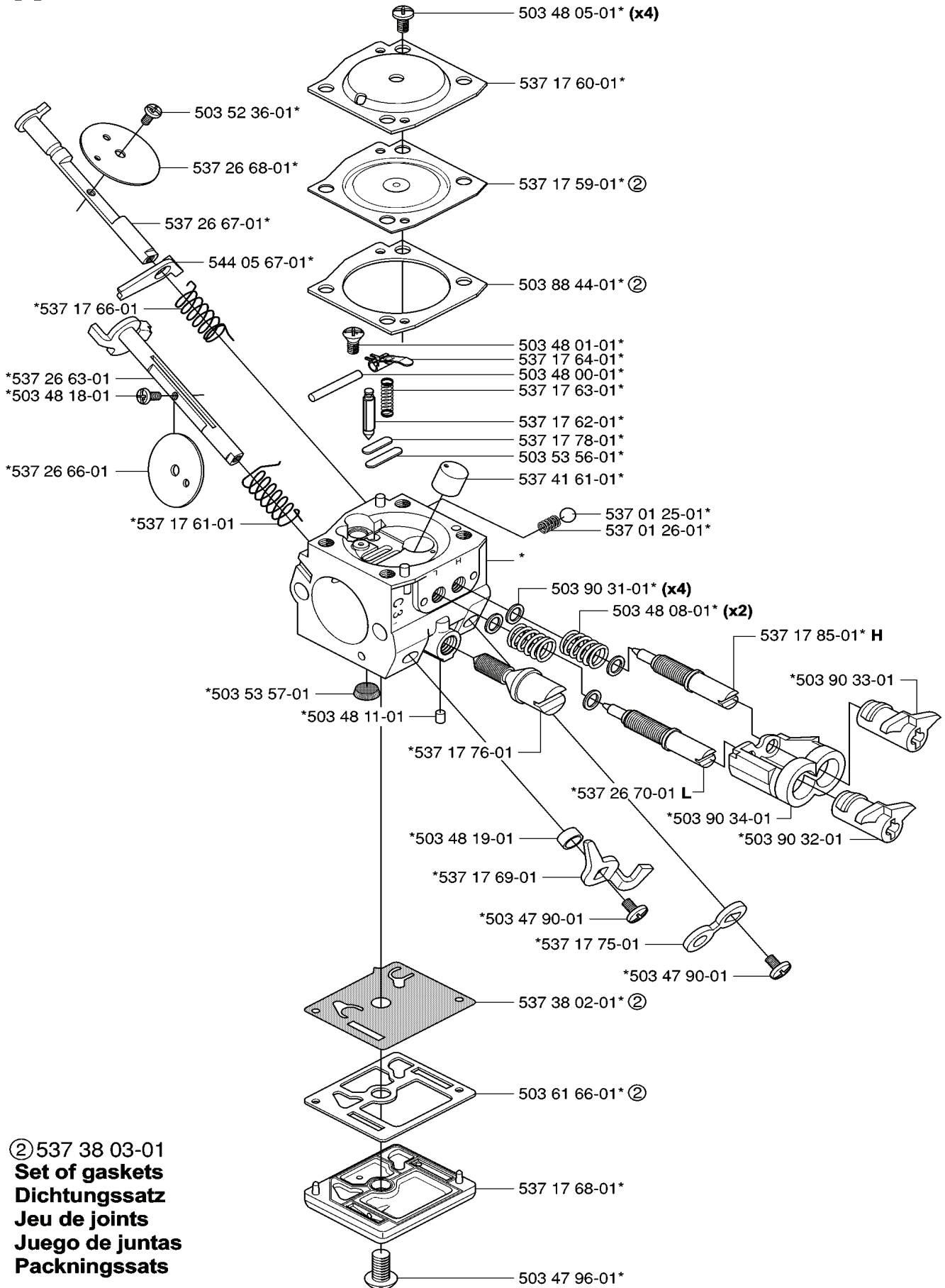
*compl 537 16 25-01 (CS2141, CS2150)



| REF. | ART. NR | ARTIKELBESKRIVNING | ANMÄRKNING | KIT |
|--------------|-----------|--------------------|------------|-----|
| 501 69 17-01 | 501691701 | KOMBINYCKEL | | 1 |
| 544 34 44-01 | 544344401 | VINTERSKYDD KPL | | 1 |
| 537 16 25-01 | 537162501 | VINTERSKYDD | | 1 |
| 503 21 27-13 | 503212713 | SCREW CCRPANT | | 2 |
| 503 91 06-71 | 503910671 | KIT | | 1 |

N *compl 503 28 32-08 ZAMA C3-EL18B (CS2141)

ZAMA C3-EL18B



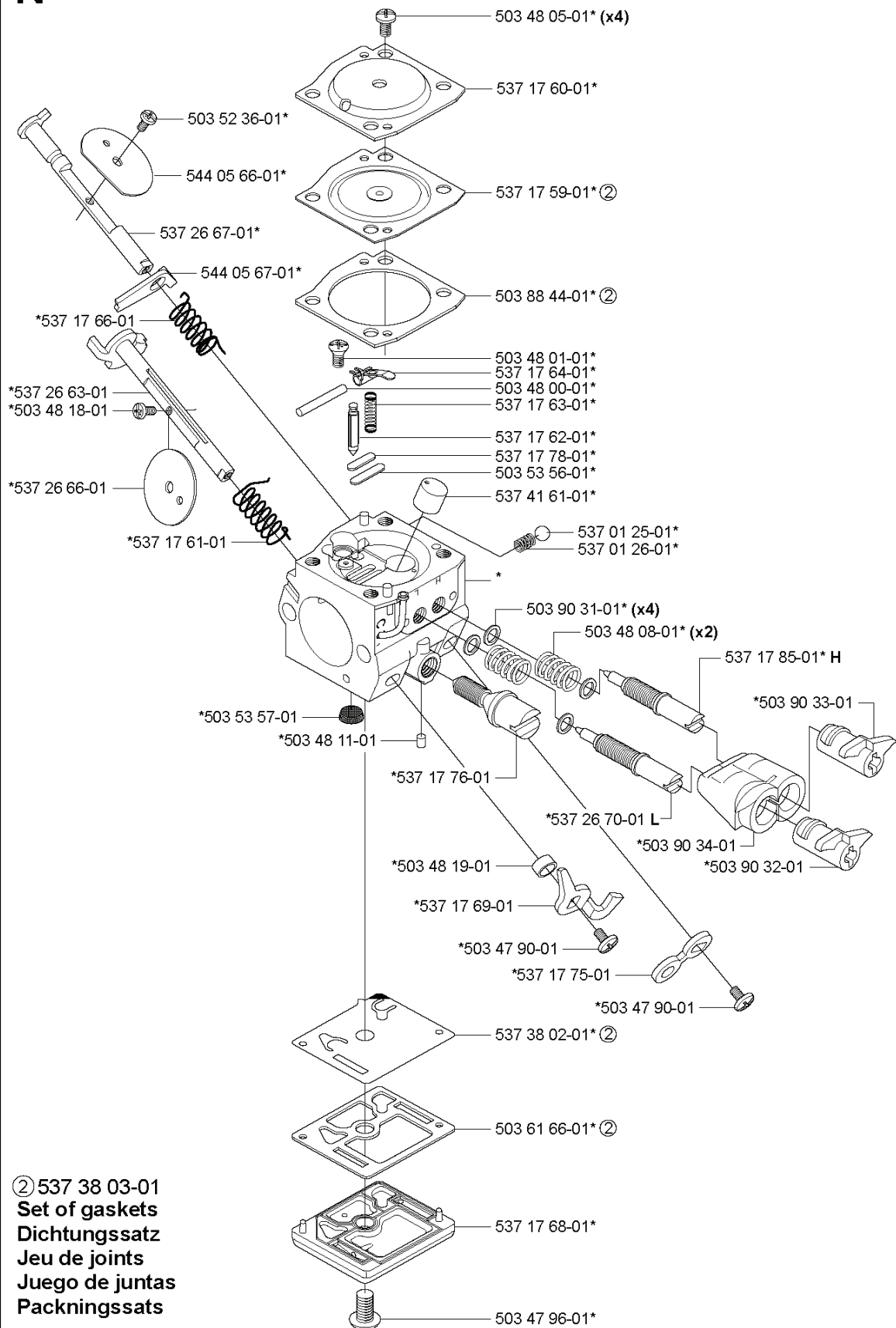
② 537 38 03-01
Set of gaskets
Dichtungssatz
Jeu de joints
Juego de juntas
Packningssats

| REF. | ART. NR | ARTIKELBESKRIVNING | ANMÄRKNING | KIT |
|--------------|-----------|---------------------|------------|-----|
| 503 28 32-08 | 503283208 | FÖRGASARE | | 1 |
| 503 52 36-01 | 503523601 | SCREW | | 1 |
| 537 26 68-01 | 537266801 | VENTIL | | 1 |
| 537 26 67-01 | 537266701 | AXEL KPL | | 1 |
| 544 05 67-01 | 544056701 | HÄVARM | | 1 |
| 537 17 66-01 | 537176601 | FJÄDER | | 1 |
| 537 26 63-01 | 537266301 | AXEL KPL | | 1 |
| 503 48 18-01 | 503481801 | SCREW | | 1 |
| 537 26 66-01 | 537266601 | VENTIL | | 1 |
| 537 17 61-01 | 537176101 | FJÄDER | | 1 |
| 503 53 57-01 | 503535701 | SIL | | 1 |
| 503 48 11-01 | 503481101 | PIECE | | 1 |
| 537 17 76-01 | 537177601 | SCREW | | 1 |
| 503 48 19-01 | 503481901 | KRAGE | | 1 |
| 537 17 69-01 | 537176901 | HÄVARM | | 1 |
| 503 47 90-01 | 503479001 | SCREW | | 1 |
| 537 17 75-01 | 537177501 | HÄVARM | | 1 |
| 537 38 02-01 | 537380201 | MEMBRAN | | 1 |
| 503 61 66-01 | 503616601 | PACKNING | | 1 |
| 537 17 68-01 | 537176801 | KÅPA | | 1 |
| 503 47 96-01 | 503479601 | SCREW | | 1 |
| 503 90 32-01 | 503903201 | LIMITER CAP | | 1 |
| 503 90 34-01 | 503903401 | HÅLLARE | | 1 |
| 537 26 70-01 | 537267001 | SCREW | | 1 |
| 503 90 33-01 | 503903301 | LIMITER CAP | | 1 |
| 537 17 85-01 | 537178501 | SCREW | | 1 |
| 503 48 08-01 | 503480801 | FJÄDER | | 2 |
| 503 90 31-01 | 503903101 | BRICKA | | 4 |
| 537 01 26-01 | 537012601 | FJÄDER | | 1 |
| 537 01 25-01 | 537012501 | KULA | | 1 |
| 537 41 61-01 | 537416101 | NOZZLE ASSY | | 1 |
| 503 53 56-01 | 503535601 | PLUG WELCH | | 1 |
| 537 17 78-01 | 537177801 | PLUGG | | 1 |
| 537 17 62-01 | 537176201 | VENTIL | | 1 |
| 537 17 63-01 | 537176301 | FJÄDER | | 1 |
| 503 48 00-01 | 503480001 | PIN RETAINING SCREW | | 1 |
| 537 17 64-01 | 537176401 | HÄVARM | | 1 |
| 503 48 01-01 | 503480101 | SCREW | | 1 |
| 503 88 44-01 | 503884401 | PACKNING | | 1 |
| 537 17 59-01 | 537175901 | MEMBRAN | | 1 |
| 537 17 60-01 | 537176001 | KÅPA | | 1 |

| REF. | ART. NR | ARTIKELBESKRIVNING | ANMÄRKNING | KIT |
|------------------|-----------|--------------------|------------|-----|
| 503 48 05- 01 | 503480501 | SCREW | | 4 |

N

*compl 503 28 32-10 ZAMA C3-EL32 (CS2141S, CS2145S, CS2150)

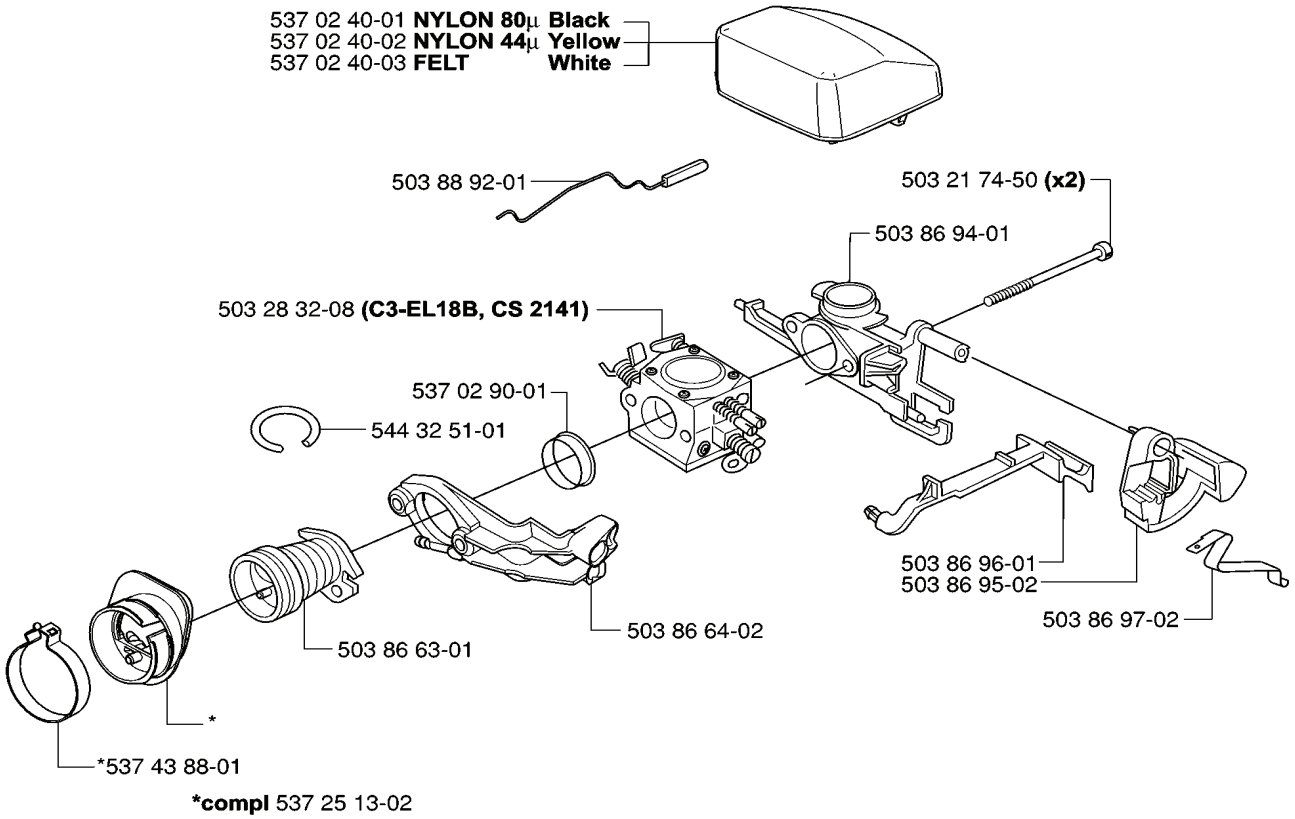
ZAMA C3-EL32

| REF. | ART. NR | ARTIKELBESKRIVNING | ANMÄRKNING | KIT |
|--------------|-----------|---------------------|------------|-----|
| 503 28 32-08 | 503283208 | FÖRGASARE | | 1 |
| 503 52 36-01 | 503523601 | SCREW | | 1 |
| 544 05 66-01 | 544056601 | CHOKESPIJÄLL | | 1 |
| 537 26 67-01 | 537266701 | AXEL KPL | | 1 |
| 544 05 67-01 | 544056701 | HÄVARM | | 1 |
| 537 17 66-01 | 537176601 | FJÄDER | | 1 |
| 537 26 63-01 | 537266301 | AXEL KPL | | 1 |
| 503 48 18-01 | 503481801 | SCREW | | 1 |
| 537 26 66-01 | 537266601 | VENTIL | | 1 |
| 537 17 61-01 | 537176101 | FJÄDER | | 1 |
| 503 53 57-01 | 503535701 | SIL | | 1 |
| 503 48 11-01 | 503481101 | PIECE | | 1 |
| 537 17 76-01 | 537177601 | SCREW | | 1 |
| 503 48 19-01 | 503481901 | KRAGE | | 1 |
| 537 17 69-01 | 537176901 | HÄVARM | | 1 |
| 503 47 90-01 | 503479001 | SCREW | | 1 |
| 537 17 75-01 | 537177501 | HÄVARM | | 1 |
| 537 38 02-01 | 537380201 | MEMBRAN | | 1 |
| 503 61 66-01 | 503616601 | PACKNING | | 1 |
| 537 17 68-01 | 537176801 | KÅPA | | 1 |
| 503 47 96-01 | 503479601 | SCREW | | 1 |
| 503 90 32-01 | 503903201 | LIMITER CAP | | 1 |
| 503 90 34-01 | 503903401 | HÅLLARE | | 1 |
| 537 26 70-01 | 537267001 | SCREW | | 1 |
| 503 90 33-01 | 503903301 | LIMITER CAP | | 1 |
| 537 17 85-01 | 537178501 | SCREW | | 1 |
| 503 48 08-01 | 503480801 | FJÄDER | | 2 |
| 503 90 31-01 | 503903101 | BRICKA | | 4 |
| 537 01 26-01 | 537012601 | FJÄDER | | 1 |
| 537 01 25-01 | 537012501 | KULA | | 1 |
| 537 41 61-01 | 537416101 | NOZZLE ASSY | | 1 |
| 503 53 56-01 | 503535601 | PLUG WELCH | | 1 |
| 537 17 78-01 | 537177801 | PLUGG | | 1 |
| 537 17 62-01 | 537176201 | VENTIL | | 1 |
| 537 17 63-01 | 537176301 | FJÄDER | | 1 |
| 503 48 00-01 | 503480001 | PIN RETAINING SCREW | | 1 |
| 537 17 64-01 | 537176401 | HÄVARM | | 1 |
| 503 48 01-01 | 503480101 | SCREW | | 1 |
| 503 88 44-01 | 503884401 | PACKNING | | 1 |
| 537 17 59-01 | 537175901 | MEMBRAN | | 1 |
| 537 17 60-01 | 537176001 | KÅPA | | 1 |

| REF. | ART. NR | ARTIKELBESKRIVNING | ANMÄRKNING | KIT |
|------------------|-----------|--------------------|------------|-----|
| 503 48 05- 01 | 503480501 | SCREW | | 4 |

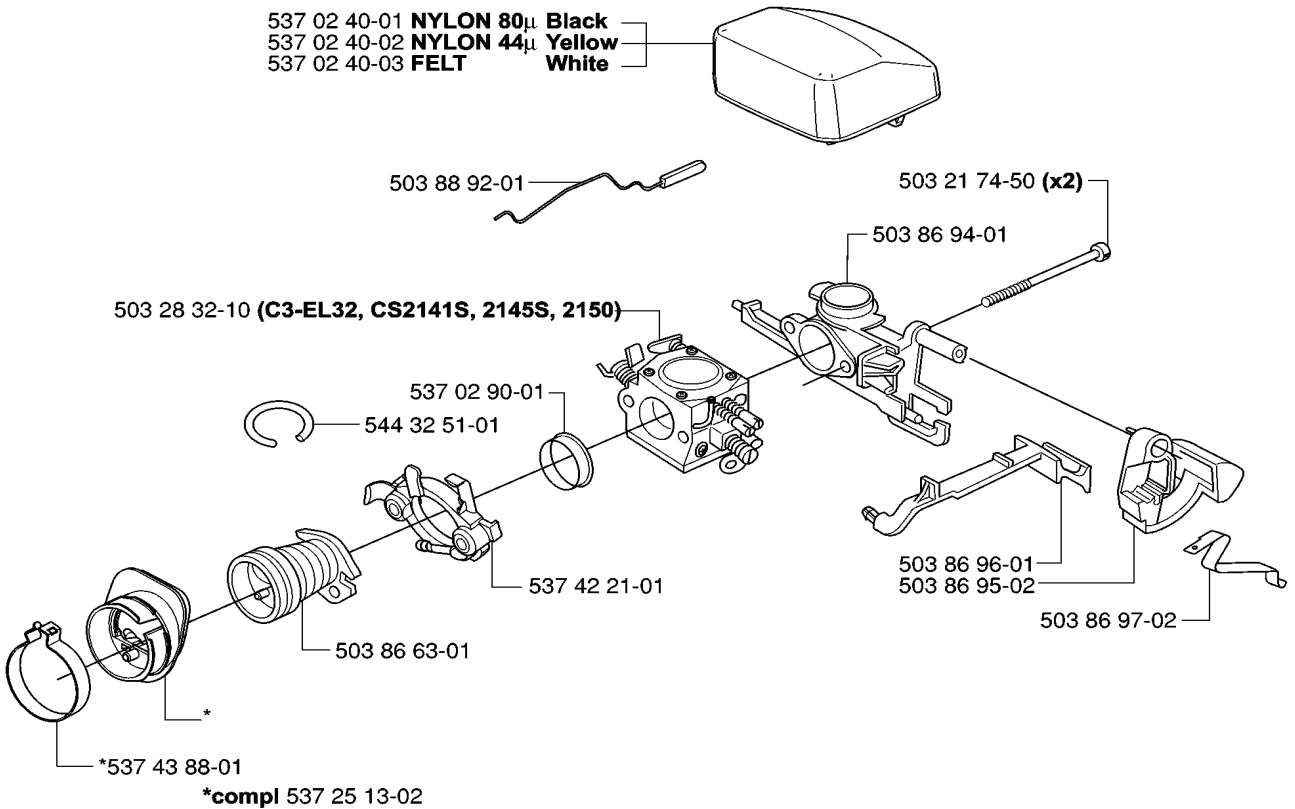
F CS 2141

537 02 40-01 **NYLON 80 μ Black**
 537 02 40-02 **NYLON 44 μ Yellow**
 537 02 40-03 **FELT White**



F CS 2141S, CS 2145S, CS 2150

537 02 40-01 **NYLON 80 μ Black**
 537 02 40-02 **NYLON 44 μ Yellow**
 537 02 40-03 **FELT White**

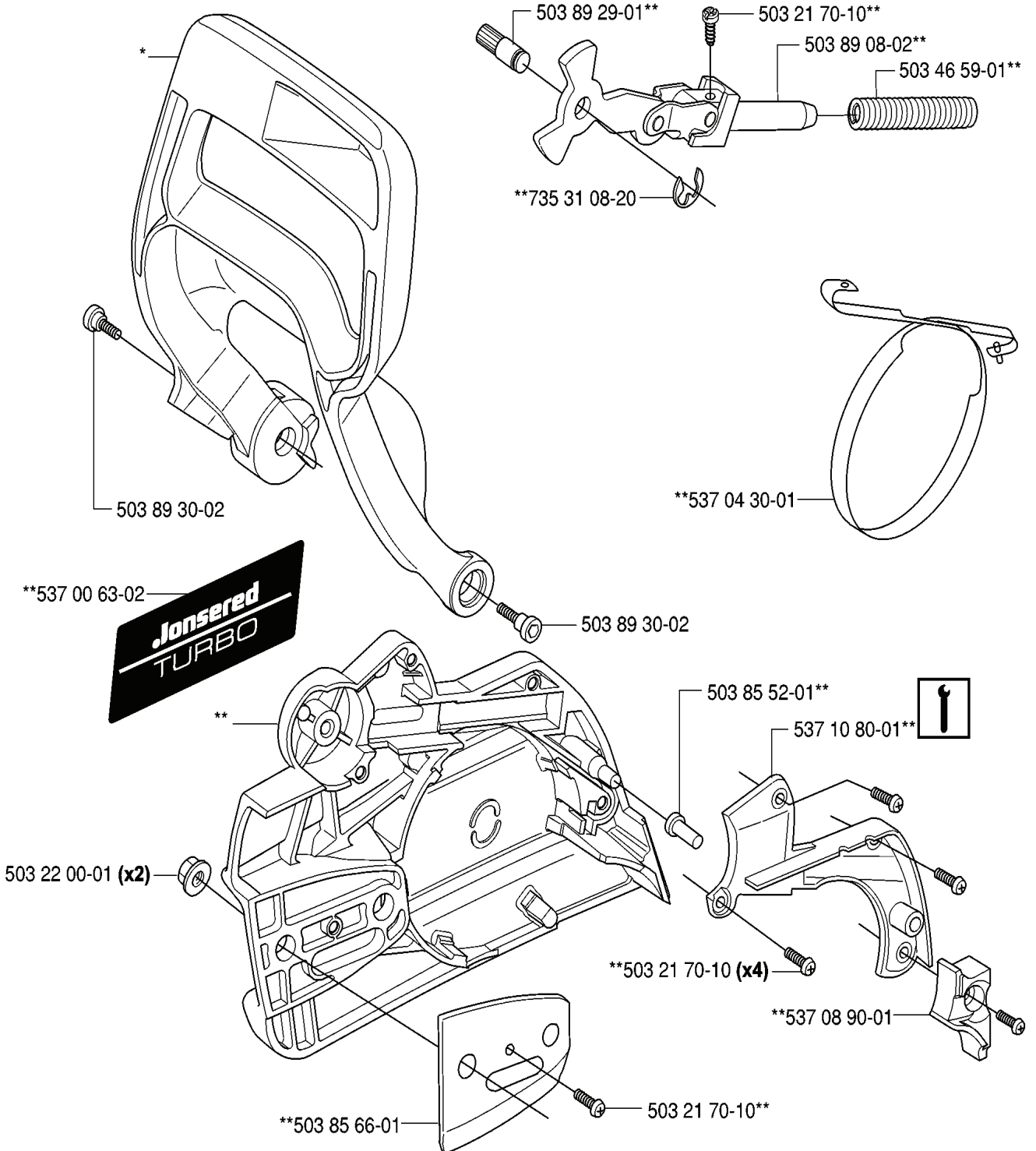


| REF. | ART. NR | ARTIKELBESKRIVNING | ANMÄRKNING | KIT |
|--------------|-----------|--------------------|------------|-----|
| 537 02 40-01 | 537024001 | LUFTFILTER | | 1 |
| 537 02 40-03 | 537024003 | LUFTFILTER | | 1 |
| 503 28 32-08 | 503283208 | FÖRGASARE | | 1 |
| 537 02 90-01 | 537029001 | STÖDRING | | 1 |
| 544 32 51-01 | 544325101 | SLANG | | 1 |
| 537 43 88-01 | 537438801 | KLÄMMA | | 1 |
| 537 25 13-02 | 537251302 | MELLANVÄGG | | 1 |
| 503 86 64-02 | 503866402 | FLÄNS | | 1 |
| 503 86 95-02 | 503869502 | STOPPKONTAKT | | 1 |
| 503 86 96-01 | 503869601 | CHOKEREGGLAGE | | 1 |
| 503 86 94-01 | 503869401 | INSUGSKRÖK | | 1 |
| 537 02 40-02 | 537024002 | LUFTFILTER | | 1 |
| 503 88 92-01 | 503889201 | GASSTÅNG | | 1 |
| 503 28 32-10 | 503283210 | FÖRGASARE | | 1 |
| 537 42 21-01 | 537422101 | FLÄNS | | 1 |
| 503 86 63-01 | 503866301 | BÄLG | | 1 |
| 503 86 97-02 | 503869702 | FJÄDER | | 1 |
| 503 21 74-50 | 503217450 | SKRUV IHSC | | 2 |

A

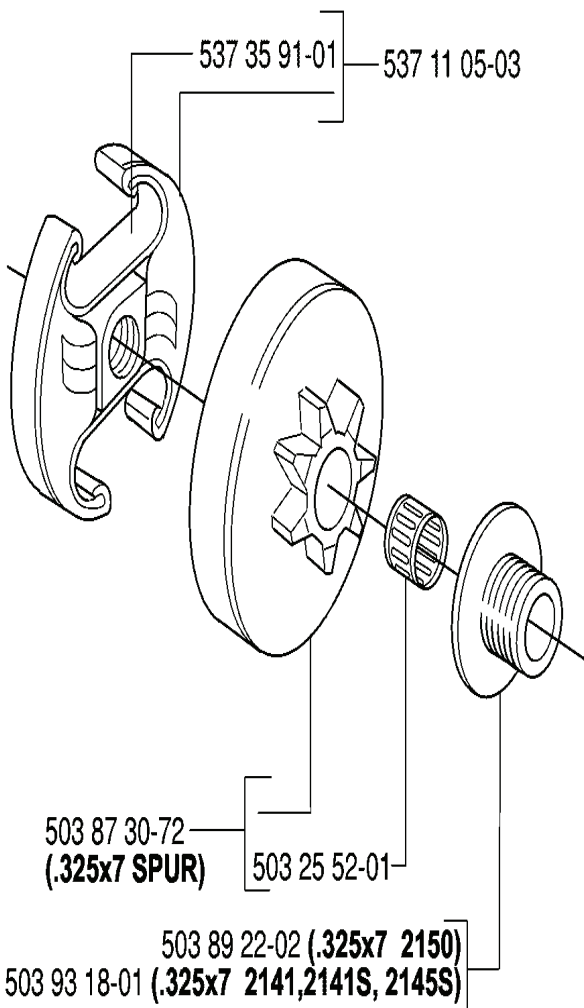
*compl 537 01 21-02

**compl 537 10 79-01

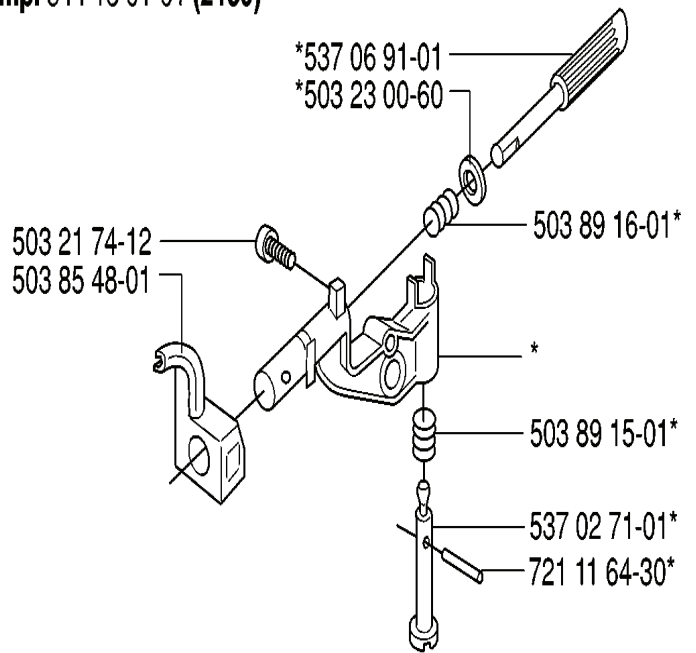


| REF. | ART. NR | ARTIKELBESKRIVNING | ANMÄRKNING | KIT |
|--------------|-----------|--------------------|------------|-----|
| 537 01 21-02 | 537012102 | KASTSKYDD | | 1 |
| 537 00 63-02 | 537006302 | DEKAL | | 1 |
| 503 22 00-01 | 503220001 | MUTTER (HEXAGON) | | 2 |
| 503 85 66-01 | 503856601 | TÄCKPLATTA | | 1 |
| 537 08 90-01 | 537089001 | SLITSKYDD | | 1 |
| 503 21 70-10 | 503217010 | SCREW CCRPANT | | 4 |
| 537 10 80-01 | 537108001 | NAVKAPSEL | | 1 |
| 503 85 52-01 | 503855201 | STYRHYLSA | | 1 |
| 503 89 30-02 | 503893002 | SCREW | | 1 |
| 537 04 30-01 | 537043001 | BROMSBAND KPL | | 1 |
| 735 31 08-20 | 735310820 | SPÄRRYTARE | | 1 |
| 503 46 59-01 | 503465901 | BROMSFJÄDER | | 1 |
| 503 89 08-02 | 503890802 | KNÅLED KPL | | 1 |
| 503 89 29-01 | 503892901 | TAPP | | 1 |
| 537 10 79-01 | 537107901 | KEDJEBROMS KPL | | 1 |

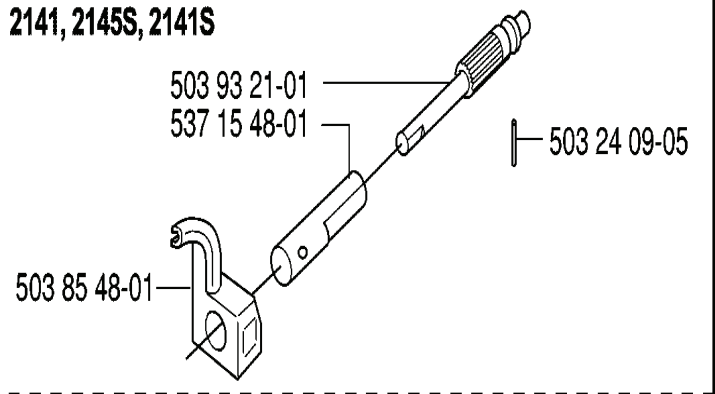
B



***compl 544 18 01-01 (2150)**



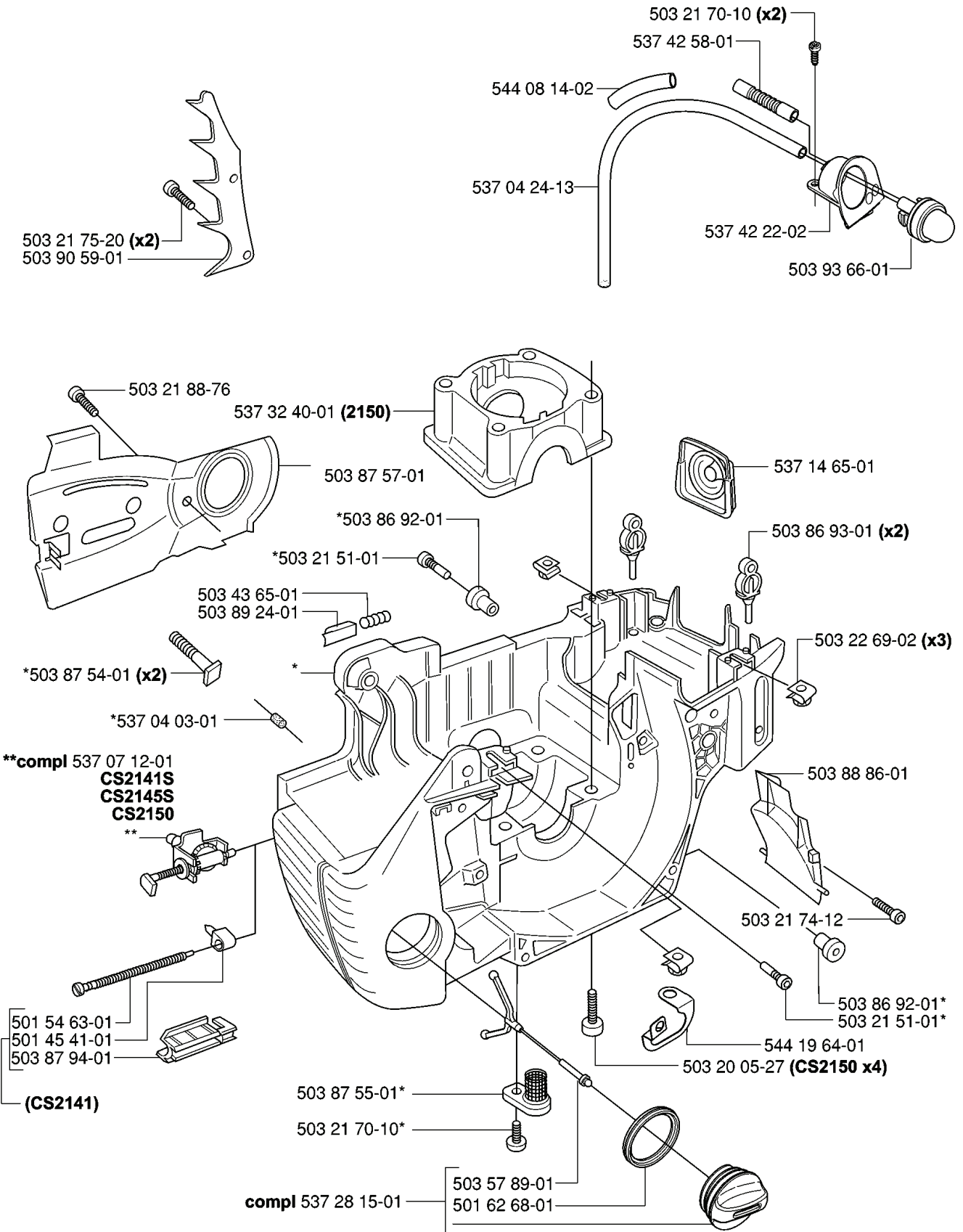
2141, 2145S, 2141S



| REF. | ART. NR | ARTIKELBESKRIVNING | ANMÄRKNING | KIT |
|--------------|-----------|---------------------|------------|-----|
| 537 35 91-01 | 537359101 | KOPPLINGSFJÄDER | | 1 |
| 537 11 05-03 | 537110503 | KOPPLING KPL | | 1 |
| 503 87 30-72 | 503873072 | KOPPLINGSTRUMMA KPL | | 1 |
| 503 93 18-01 | 503931801 | PUMPDREV | | 1 |
| 503 89 22-02 | 503892202 | PUMPDREV | | 1 |
| 503 25 52-01 | 503255201 | NÅLLAGER | | 1 |
| 544 18 01-01 | 544180101 | OLJEPUMP KPL | | 1 |
| 503 21 74-12 | 503217412 | SKRUV IHSCT | | 1 |
| 503 93 21-01 | 503932101 | PUMPKOLV | | 1 |
| 537 15 48-01 | 537154801 | PUMPCYLINDER | | 1 |
| 503 85 48-01 | 503854801 | TÄTNING | | 1 |
| 503 24 09-05 | 503240905 | NÅLRULLE | | 1 |
| 721 11 64-30 | 721116430 | RÄFFELPINNE | | 1 |
| 537 02 71-01 | 537027101 | JUSTERSKRUV | | 1 |
| 503 89 15-01 | 503891501 | FJÄDER | | 1 |
| 503 89 16-01 | 503891601 | FJÄDER | | 1 |
| 503 23 00-60 | 503230060 | BRICKA | | 1 |
| 537 06 91-01 | 537069101 | PUMPKOLV | | 1 |

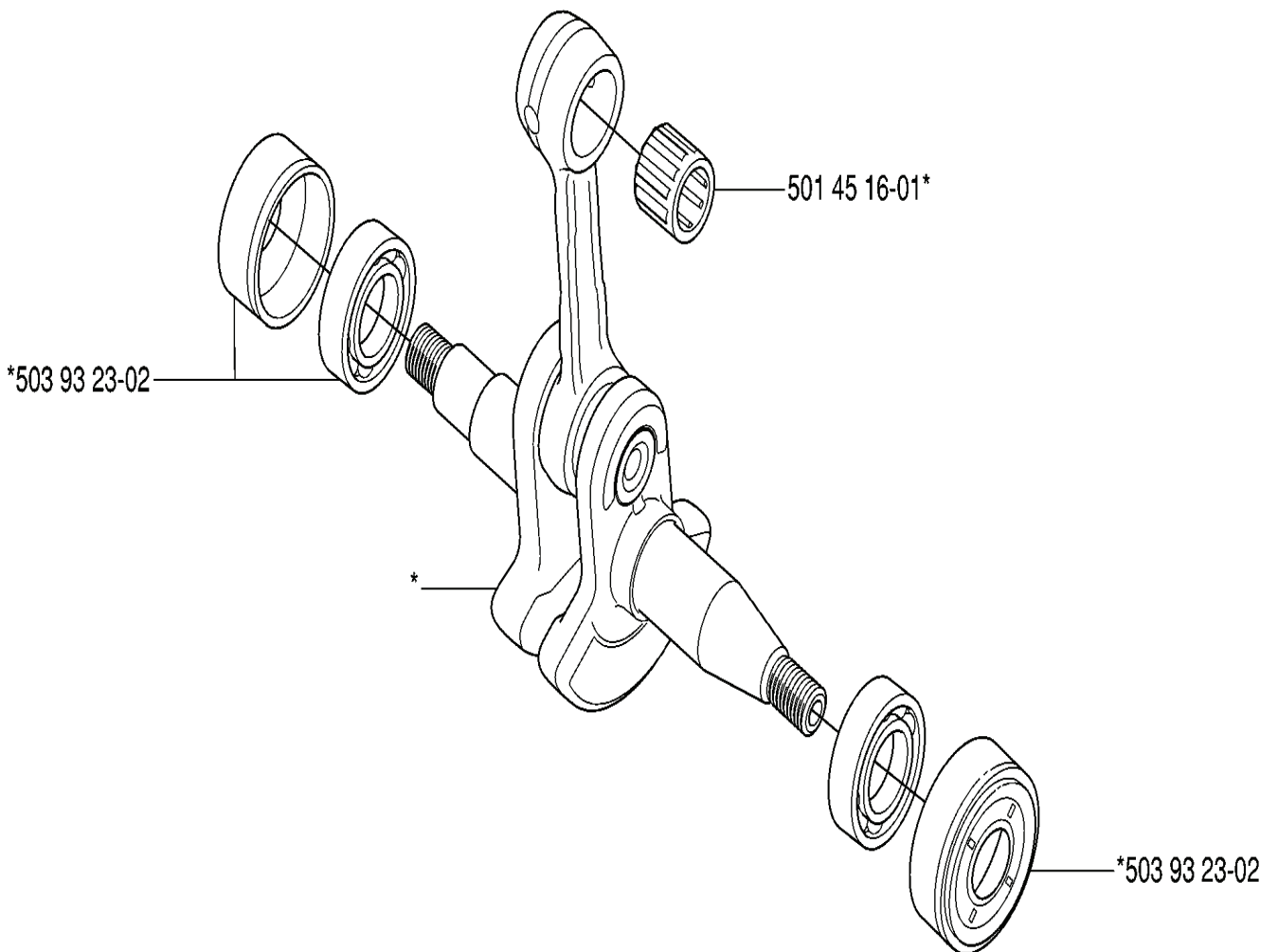
J

*compl 537 17 20-04



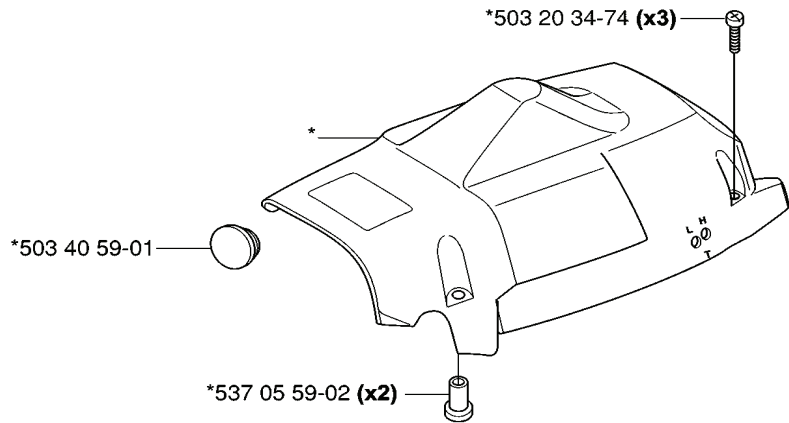
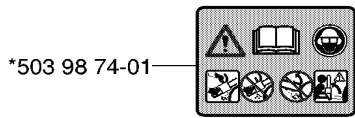
| REF. | ART. NR | ARTIKELBESKRIVNING | ANMÄRKNING | KIT |
|--------------|-----------|--------------------|------------|-----|
| 537 17 20-04 | 537172004 | VEVHUS KPL | | 1 |
| 503 21 75-20 | 503217520 | SKRUV IHSCFT | | 2 |
| 503 90 59-01 | 503905901 | BARKSTÖD | | 1 |
| 503 21 88-76 | 503218876 | SKRUV IHSCFT | | 1 |
| 537 32 40-01 | 537324001 | LAGERSKYDD | | 1 |
| 503 87 57-01 | 503875701 | KEDJELEDARPLÅT | | 1 |
| 503 43 65-01 | 503436501 | LÅGESFJÄDER | | 1 |
| 503 89 24-01 | 503892401 | LÅS | | 1 |
| 503 87 54-01 | 503875401 | SVÅRDSBULT | | 2 |
| 537 04 03-01 | 537040301 | VENTIL | | 1 |
| 537 07 12-01 | 537071201 | KEDJESPÄNNARE | | 1 |
| 501 54 63-01 | 501546301 | SCREW | | 1 |
| 501 45 41-01 | 501454101 | MUTTER | | 1 |
| 503 87 94-01 | 503879401 | HÅLLARE | | 1 |
| 537 28 15-01 | 537281501 | TANKLOCK KPL | | 1 |
| 503 87 55-01 | 503875501 | OLJESIL | | 1 |
| 503 57 89-01 | 503578901 | HÅLLARE | | 1 |
| 501 62 68-01 | 501626801 | PACKNING | | 1 |
| 503 20 05-27 | 503200527 | SKRUV IHSCM | | 4 |
| 544 19 64-01 | 544196401 | JORDBLECK | | 1 |
| 503 21 51-01 | 503215101 | SKRUV IHSCFT | | 1 |
| 503 86 92-01 | 503869201 | BUSHING | | 1 |
| 503 21 74-12 | 503217412 | SKRUV IHSCFT | | 1 |
| 503 88 86-01 | 503888601 | LUFTMUNSTYCKE | | 1 |
| 503 22 69-02 | 503226902 | MUTTER | | 3 |
| 503 86 93-01 | 503869301 | STÖD | | 2 |
| 537 14 65-01 | 537146501 | BÄLG | | 1 |
| 503 93 66-01 | 503936601 | PURGE | | 1 |
| 537 42 22-02 | 537422202 | FÄSTE | | 1 |
| 537 04 24-13 | 537042413 | BRÄNSLESLANG | | 1 |
| 544 08 14-02 | 544081402 | SKYDDSSLANG | | 1 |
| 537 42 58-01 | 537425801 | SUGSLANG | | 1 |
| 503 21 70-10 | 503217010 | SCREW CCRPANT | | 2 |

H *compl 503 85 80-71

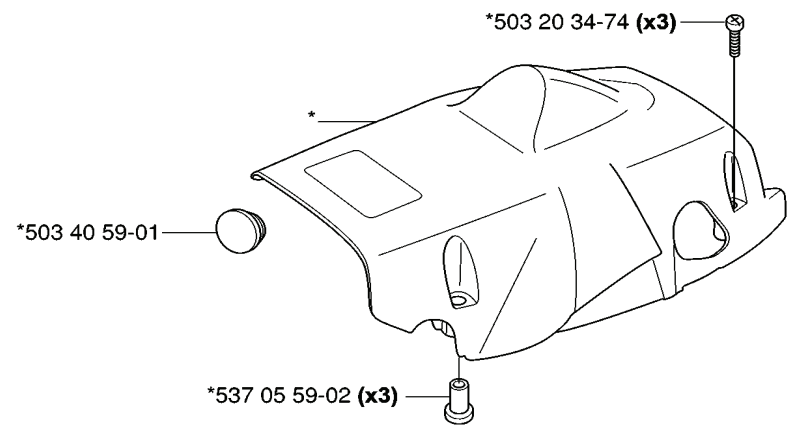
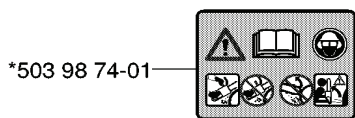


| REF. | ART. NR | ARTIKELBESKRIVNING | ANMÄRKNING | KIT |
|--------------|-----------|--------------------|------------|-----|
| 503 85 80-71 | 503858071 | VEVAXEL | | 1 |
| 503 93 23-02 | 503932302 | LAGERHÅLLARE | | 1 |
| 501 45 16-01 | 501451601 | NÅLLAGER | | 1 |

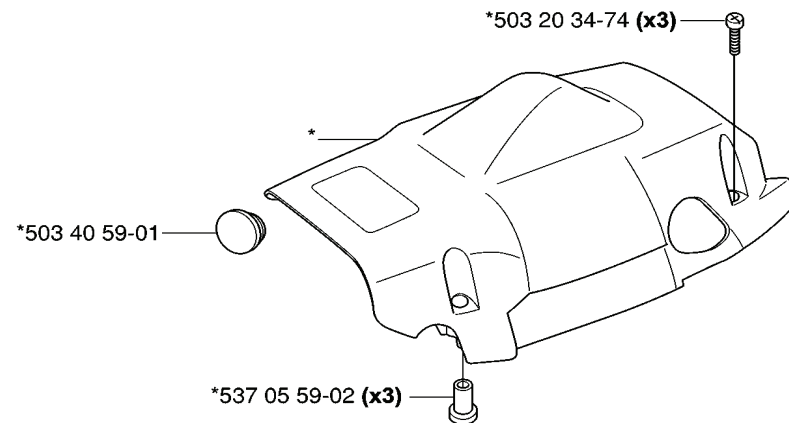
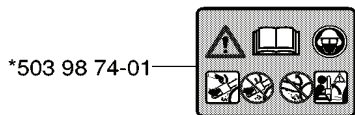
C *compl 537 01 14-03 (CS 2141)



C *compl 544 34 33-01 (CS 2141S, CS 2145S)



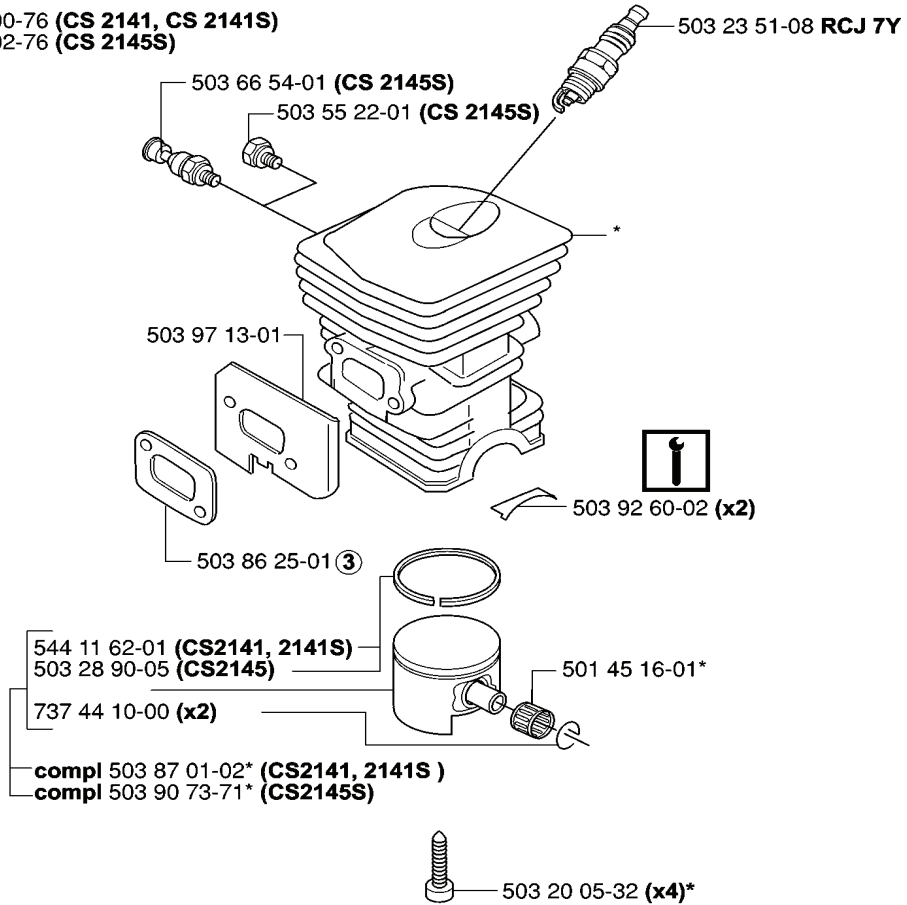
C *compl 544 34 34-01 (CS 2150)



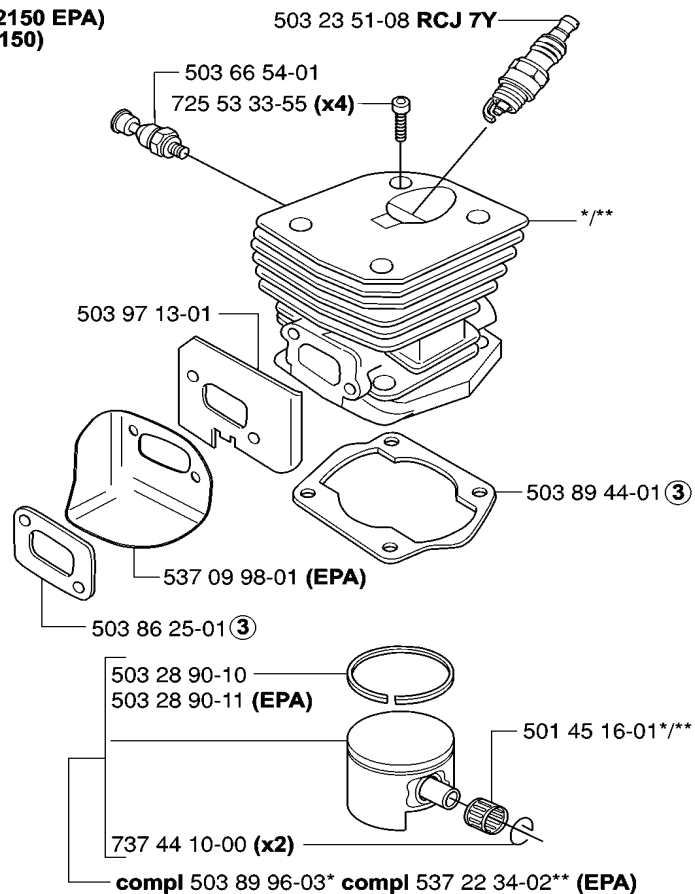
| REF. | ART. NR | ARTIKELBESKRIVNING | ANMÄRKNING | KIT |
|--------------|-----------|--------------------|------------|-----|
| 537 01 14-03 | 537011403 | CYLINDERKÅPA | | 1 |
| 503 98 74-01 | 503987401 | DEKAL | | 1 |
| 503 20 34-74 | 503203474 | SCREW | | 3 |
| 544 34 33-01 | 544343301 | CYLINDERKÅPA | | 1 |
| 503 40 59-01 | 503405901 | VINTERPLUGG | | 1 |
| 544 34 34-01 | 544343401 | CYLINDERKÅPA | | 1 |
| 537 05 59-02 | 537055902 | HYLSA | | 3 |

G

*compl 503 87 00-76 (CS 2141, CS 2141S)
 *compl 503 87 02-76 (CS 2145S)

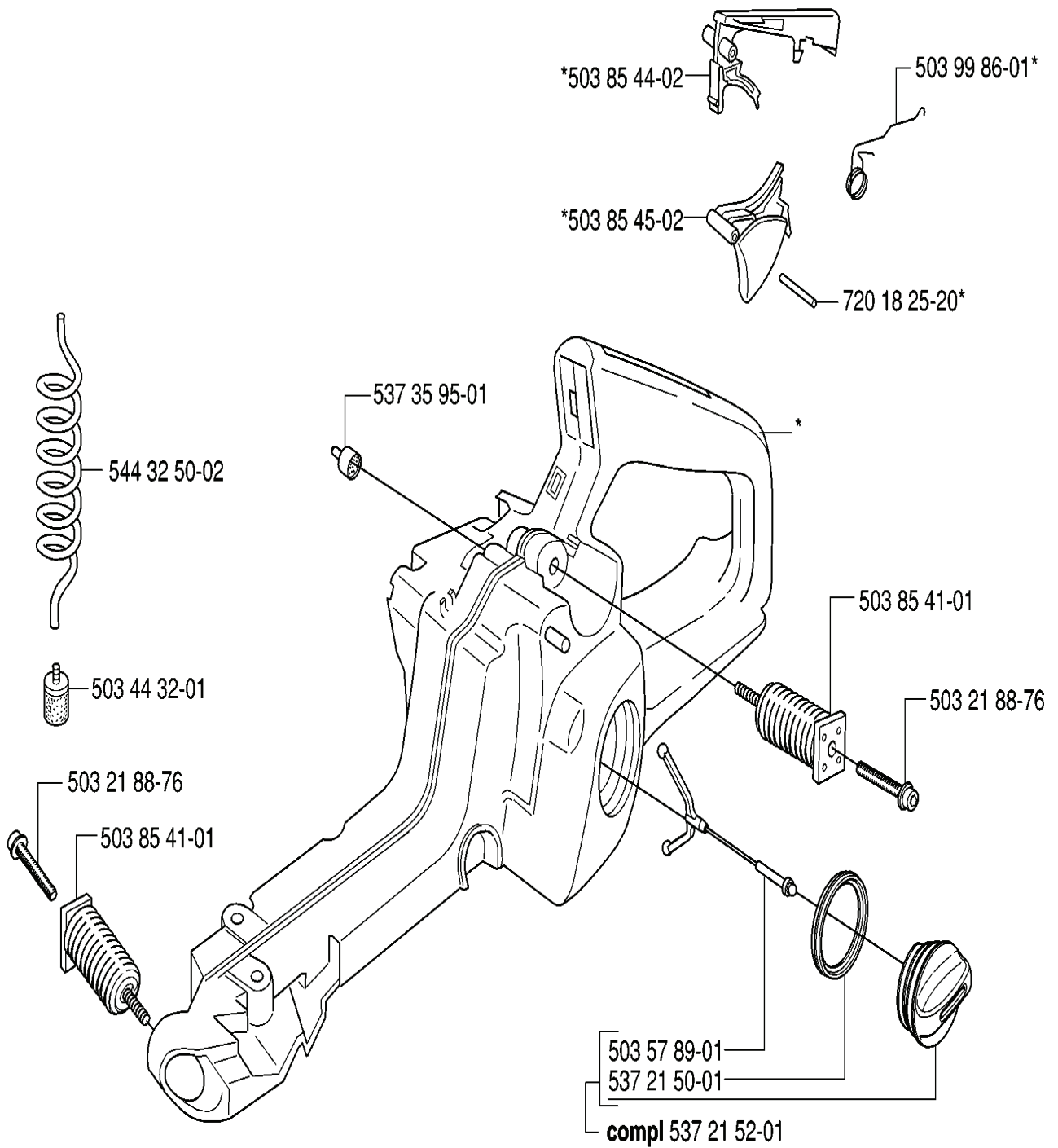
**G**

**compl 537 25 30-02 (CS2150 EPA)
 *compl 503 86 99-71 (CS2150)



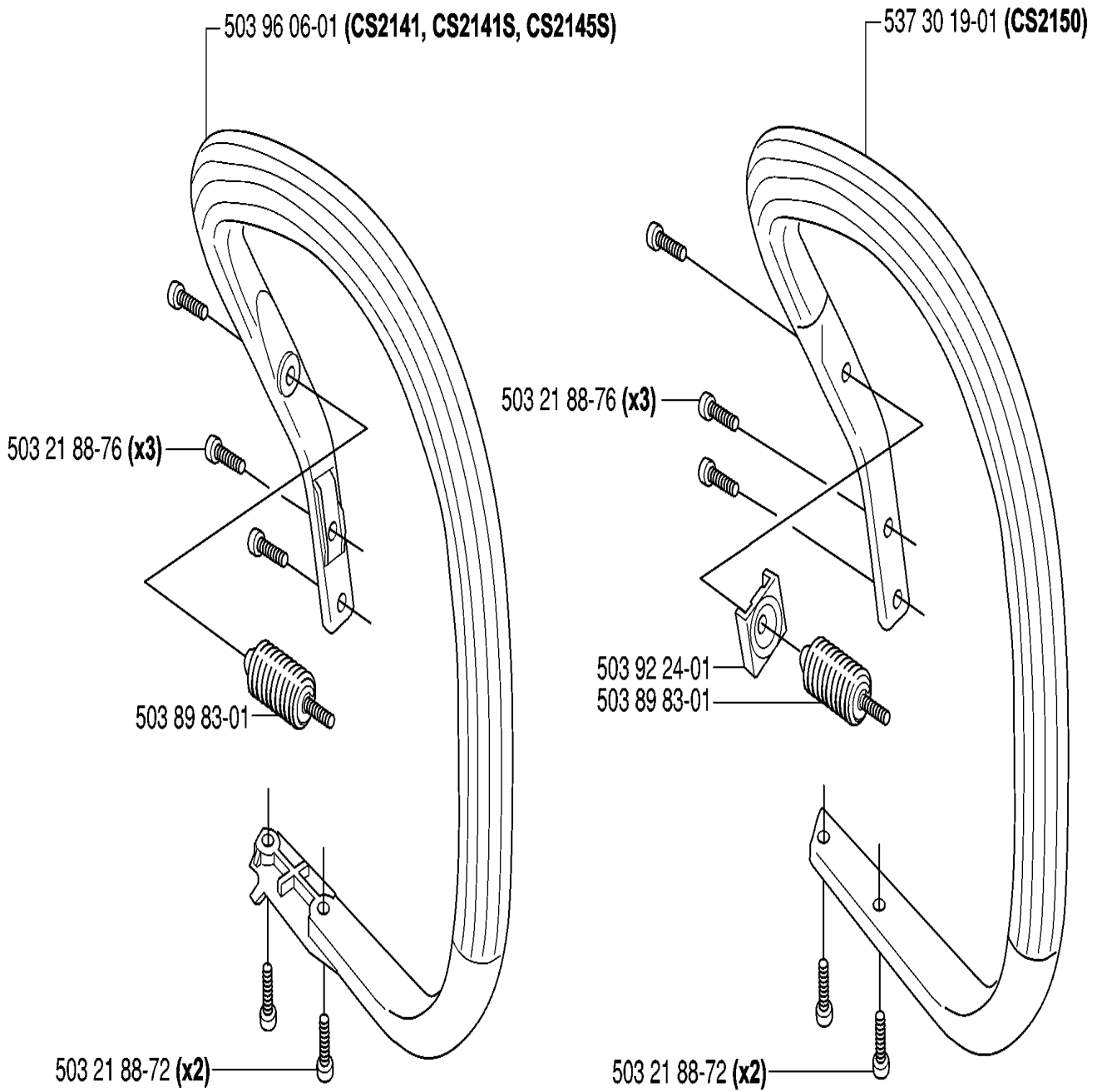
| REF. | ART. NR | ARTIKELBESKRIVNING | ANMÄRKNING | KIT |
|--------------|-----------|----------------------|------------|-----|
| 503 87 00-76 | 503870076 | CYLINDER KPL | | 1 |
| 503 87 02-76 | 503870276 | CYLINDER KPL | | 1 |
| 503 66 54-01 | 503665401 | DEKOMPRESSIONSVENTIL | | 1 |
| 503 55 22-01 | 503552201 | PLUGG | | 1 |
| 503 97 13-01 | 503971301 | VÄRMEAVLEDARE | | 1 |
| 503 86 25-01 | 503862501 | PACKNING | | 1 |
| 544 11 62-01 | 544116201 | KOLVRING | | 1 |
| 503 28 90-05 | 503289005 | KOLVRING | | 1 |
| 737 44 10-00 | 737441000 | LÅSRING | | 2 |
| 503 87 01-02 | 503870102 | KOLV KPL | | 1 |
| 503 90 73-71 | 503907371 | KOLV KPL | | 1 |
| 503 20 05-32 | 503200532 | SKRUV IHSCM | | 4 |
| 503 92 60-02 | 503926002 | TÄCKPLATTA | | 2 |
| 537 25 30-02 | 537253002 | CYLINDER KPL | | 1 |
| 503 86 99-71 | 503869971 | CYLINDER KPL | | 1 |
| 503 23 51-08 | 503235108 | TÄNDSTIFT | | 1 |
| 725 53 33-55 | 725533355 | SKRUV IHSCM | | 4 |
| 537 09 98-01 | 537099801 | VÄRMEAVLEDARE | | 1 |
| 503 28 90-10 | 503289010 | KOLVRING | | 1 |
| 503 28 90-11 | 503289011 | KOLVRING | | 1 |
| 503 89 96-03 | 503899603 | KOLV KPL | | 1 |
| 537 22 34-02 | 537223402 | KOLV KPL | | 1 |
| 501 45 16-01 | 501451601 | NÅLLAGER | | 1 |
| 503 89 44-01 | 503894401 | PACKNING | | 1 |

K *compl 503 86 37-04

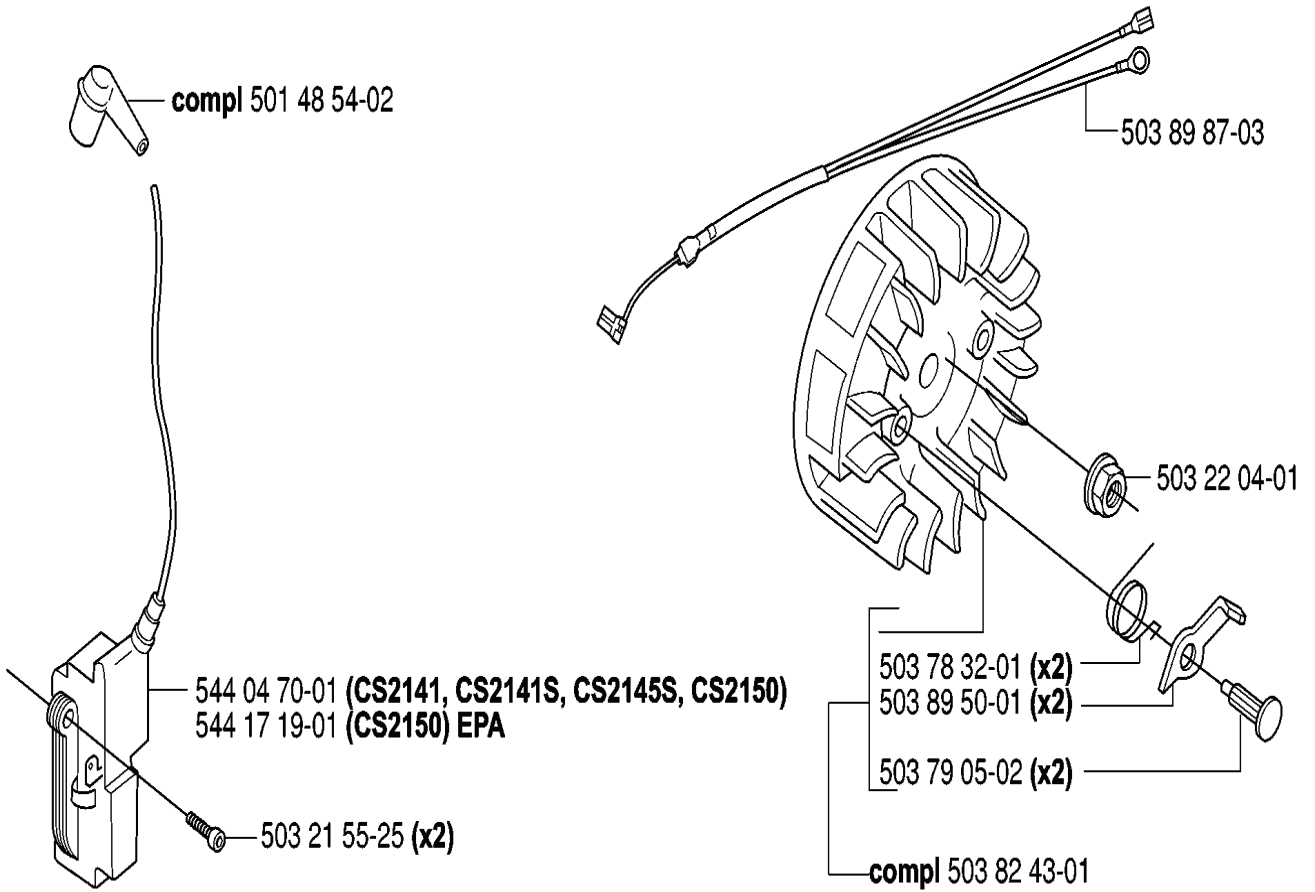


| REF. | ART. NR | ARTIKELBESKRIVNING | ANMÄRKNING | KIT |
|--------------|-----------|--------------------|------------|-----|
| 503 86 37-04 | 503863704 | BRÄNSLETANK | | 1 |
| 544 32 50-02 | 544325002 | BRÄNSLESLANG | | 1 |
| 503 44 32-01 | 503443201 | BRÄNSLEFILTER | | 1 |
| 503 21 88-76 | 503218876 | SKRUV IH SCT | | 1 |
| 537 21 52-01 | 537215201 | TANKLOCK KPL | | 1 |
| 537 21 50-01 | 537215001 | TÄTNING | | 1 |
| 503 57 89-01 | 503578901 | HÅLLARE | | 1 |
| 503 85 41-01 | 503854101 | VIBRATIONISOLATOR | | 1 |
| 537 35 95-01 | 537359501 | TANKLUFTNING KPL | | 1 |
| 503 85 45-02 | 503854502 | THROTTLE TRIGGER | | 1 |
| 503 85 44-02 | 503854402 | GASSPÄRR | | 1 |
| 720 18 25-20 | 720182520 | CYLINDRISK PINNE | | 1 |
| 503 99 86-01 | 503998601 | RETURFJÄDER | | 1 |

L



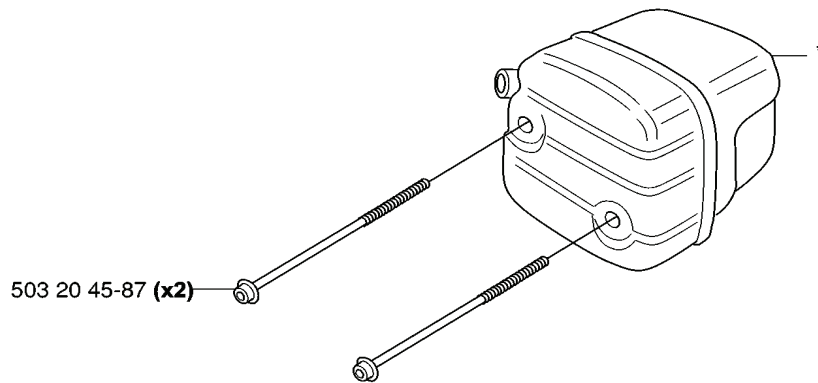
D



| REF. | ART. NR | ARTIKELBESKRIVNING | ANMÄRKNING | KIT |
|--------------|-----------|--------------------|------------|-----|
| 501 48 54-02 | 501485402 | TÄNDSTIFTSSKYDD | | 1 |
| 544 04 70-01 | 544047001 | TÄNDMODUL | | 1 |
| 544 17 19-01 | 544171901 | TÄNDMODUL | | 1 |
| 503 21 55-25 | 503215525 | SKRUV IHSC | | 2 |
| 503 82 43-01 | 503824301 | SVÄNGHJUL | | 1 |
| 503 79 05-02 | 503790502 | NIT | | 2 |
| 503 89 50-01 | 503895001 | STARTHAKE | | 2 |
| 503 78 32-01 | 503783201 | FJÄDER | | 2 |
| 503 22 04-01 | 503220401 | MUTTER | | 1 |
| 503 89 87-03 | 503898703 | KABLAGE KPL | | 1 |

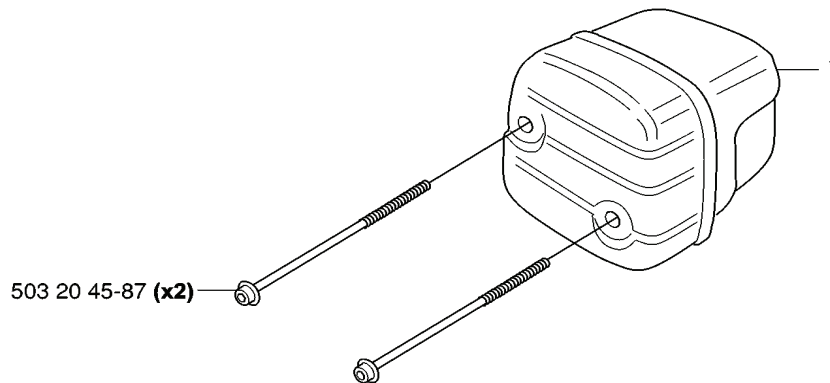
E

*compl 503 86 27-03 (EU) CS 2150



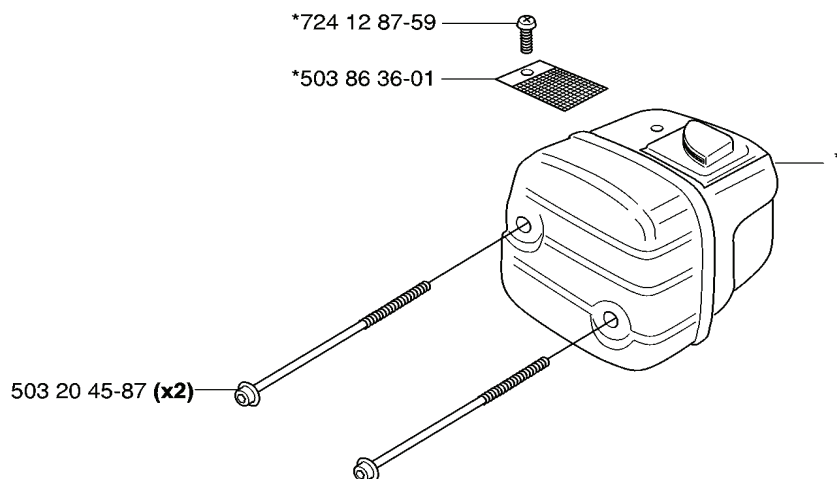
E

*compl 503 87 96-02 (FG) CS 2141, 2141S, 2145S



E

*compl 503 86 28-03 (DF) CS 2141, 2141S, 2145S, 2150



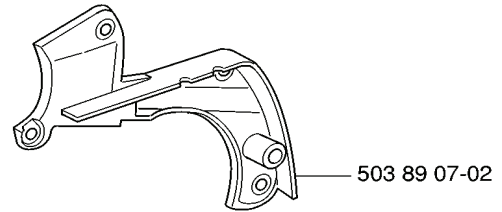
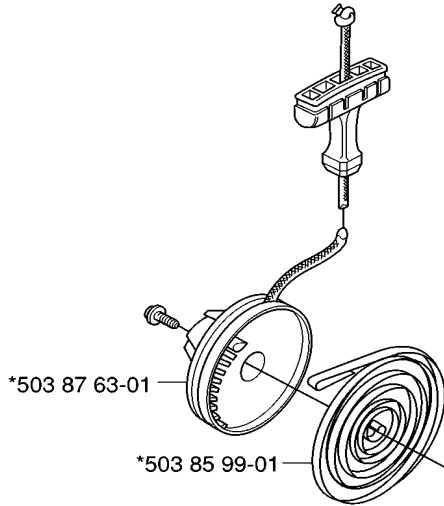
| REF. | ART. NR | ARTIKELBESKRIVNING | ANMÄRKNING | KIT |
|--------------|-----------|--------------------|------------|-----|
| 503 86 27-03 | 503862703 | LJUDDÄMPARE KPL | | 1 |
| 503 87 96-02 | 503879602 | LJUDDÄMPARE KPL | | 1 |
| 503 86 28-03 | 503862803 | LJUDDÄMPARE KPL | | 1 |
| 724 12 87-59 | 724128759 | SKRUV CRPANM | | 1 |
| 503 86 36-01 | 503863601 | GNISTFÅNGARNÄT | | 1 |
| 503 20 45-87 | 503204587 | SKRUV IHSCFM | | 2 |



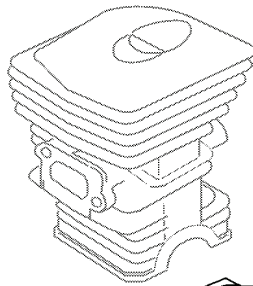
**From 20012600001(2141)
From 20012500001(2145)
Up to 20012500501(2150)**



Up to 003100001



Up to 000601101 (CS 2141, CS 2145)

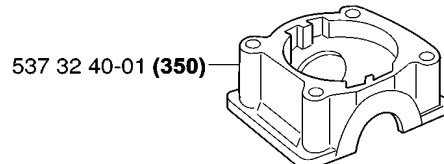
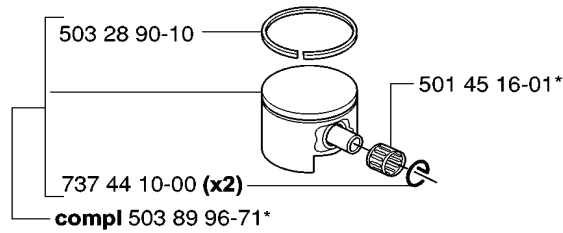
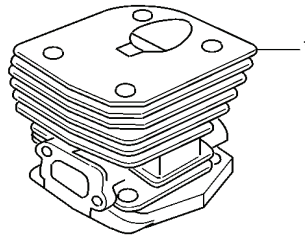


503 92 60-01 (x2)



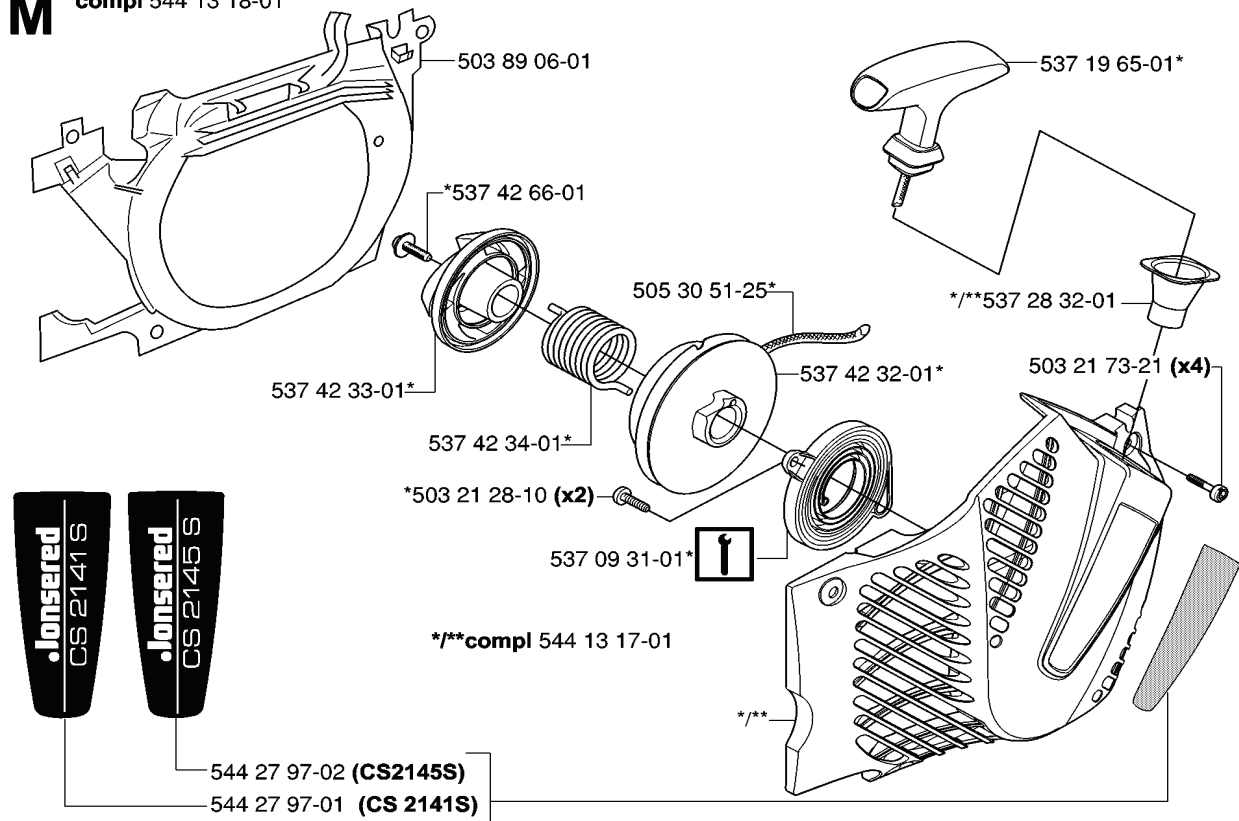
**Up to 030103001
Only EPA (CS 2150)**

***compl 503 89 99-71 (CS 2150)**

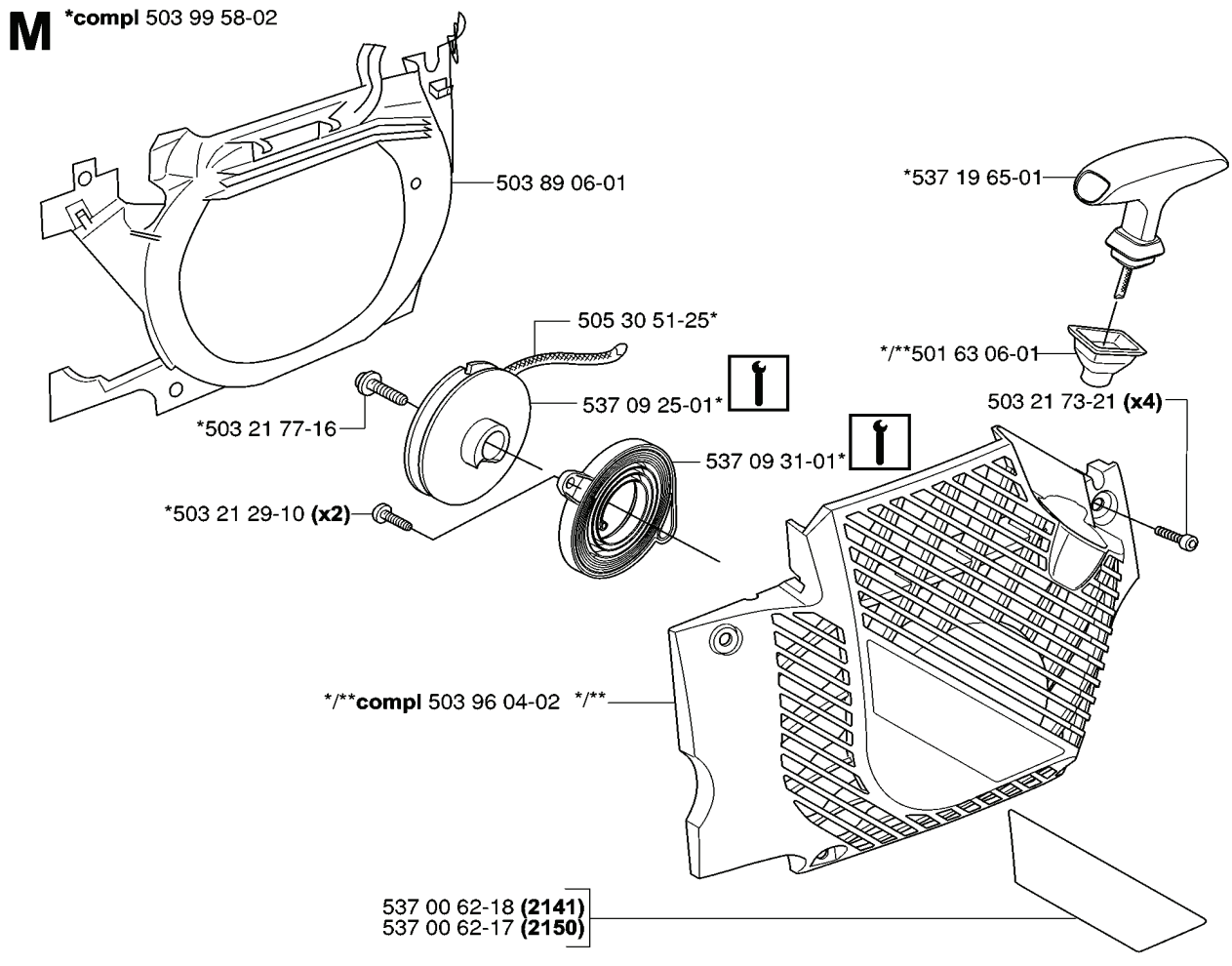


| REF. | ART. NR | ARTIKELBESKRIVNING | ANMÄRKNING | KIT |
|--------------|-----------|--------------------|------------|-----|
| 503 87 63-01 | 503876301 | LINHJUL | | 1 |
| 503 85 99-01 | 503859901 | RETURFJÄDER | | 1 |
| 503 89 99-71 | 503869971 | CYLINDER KPL | | 1 |
| 503 28 90-10 | 503289010 | KOLVRING | | 1 |
| 737 44 10-00 | 737441000 | LÅSRING | | 2 |
| 503 89 96-71 | 503899671 | KOLV KPL | | 1 |
| 537 32 40-01 | 537324001 | LAGERSKYDD | | 1 |
| 501 45 16-01 | 501451601 | NÄLLAGER | | 1 |
| 503 92 60-01 | 503926001 | TÄCKPLATTA | | 2 |
| 503 89 07-02 | 503890702 | NAVKAPSEL | | 1 |

M *compl 544 13 18-01



M *compl 503 99 58-02



| REF. | ART. NR | ARTIKELBESKRIVNING | ANMÄRKNING | KIT |
|--------------|-----------|--------------------|------------|-----|
| 544 13 18-01 | 544131801 | STARTAPPARAT KPL | | 1 |
| 503 89 06-01 | 503890601 | LUFTLEDARE | | 1 |
| 537 42 66-01 | 537426601 | SCREW | | 1 |
| 537 42 33-01 | 537423301 | MEDBRINGARE | | 1 |
| 537 42 34-01 | 537423401 | FJÄDER | | 1 |
| 503 21 28-10 | 503212810 | SCREW CCRPANT | | 2 |
| 537 09 31-01 | 537093101 | FJÄDERKASSETT KPL | | 1 |
| 544 13 17-01 | 544131701 | STARTAPPARATHUS | | 1 |
| 544 27 97-02 | 544279702 | DEKAL | | 1 |
| 544 27 97-01 | 544279701 | DEKAL | | 1 |
| 537 42 32-01 | 537423201 | LINHJUL | | 1 |
| 537 28 32-01 | 537283201 | HYLSA | | 1 |
| 537 19 65-01 | 537196501 | STARHANDTAG | | 1 |
| 503 99 58-02 | 503995802 | STARTAPPARAT | | 1 |
| 503 21 77-16 | 503217716 | SKRUV IH SCT | | 1 |
| 503 21 29-10 | 503212910 | SCREW CCRPANT | | 2 |
| 503 96 04-02 | 503960402 | STARTAPPARATHUS | | 1 |
| 537 00 62-18 | 537006218 | DEKAL | | 1 |
| 537 00 62-17 | 537006217 | DEKAL | | 1 |
| 537 09 25-01 | 537092501 | LINHJUL | | 1 |
| 505 30 51-25 | 505305125 | STARTSNÖRE | | 1 |
| 501 63 06-01 | 501630601 | HYLSA | | 1 |
| 503 21 73-21 | 503217321 | SCREW | | 4 |
| | ART. NR | | ANMÄRKNING | KIT |